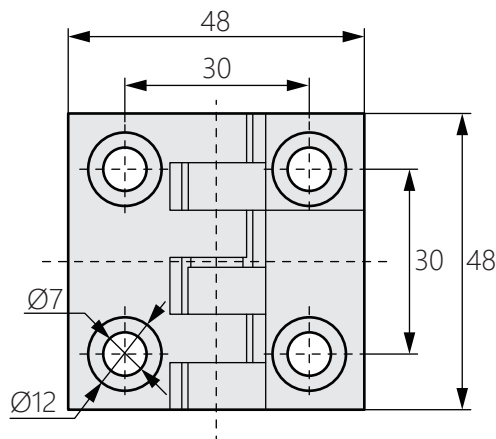


塑膠鉸鏈

Plastic hinge



OH-362



商品介紹 Product description

易於安裝。

- 材質：尼龍(PA)
- 表面處理：黑色
- 用途：半導體設備、IT設備、工業機械等

Combined use shaft cap and bolt cap.

- Material: Nylon(PA)
- Finish: Black painting
- Uses: Semiconductor equipment, IT equipment, industrial machinery, etc.

