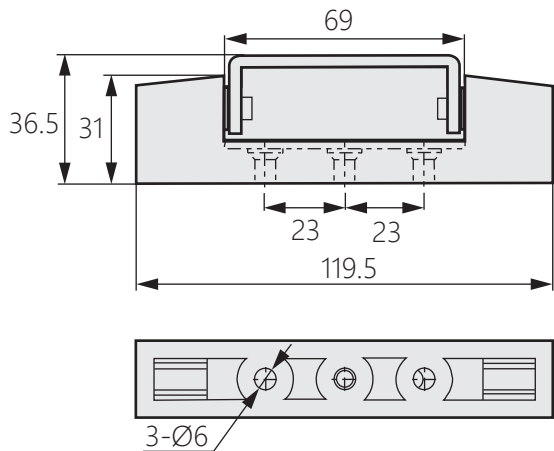
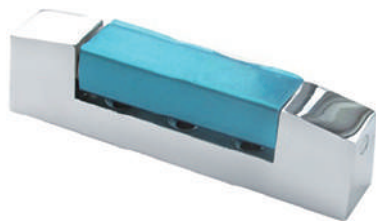


冷凍合頁

Refrigerator hinge



OH-732



商品介紹 Product description

- 1.左右開門兼用型。
- 2.適合冷庫凸門安裝。
- 3.帶鉸鍊蓋，安裝後無安裝痕跡。

- 材質：鋅合金(ZDC)
- 表面處理：鍍亮鉻
- 用途：冷凍冷藏庫、廚房設備等

1. Both left and right type.
2. Suitable for cold storage convex door installation.
3. With hinged cover, there is no installation trace after installation.

- Material: Zinc alloy(ZDC)
- Finish: Bright chrome plating
- Uses: Freezer and refrigerator, kitchen equipment, etc.

