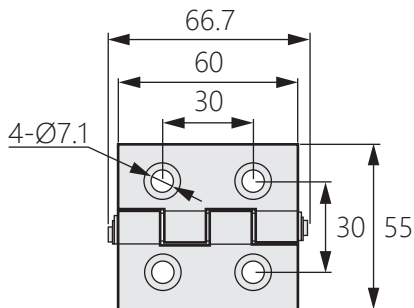


鋁合金蝶型合頁



OH-736

Aluminum butt hinge



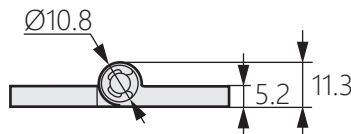
商品介紹 Product description

配置墊圈，使鉸鍊無間隙，可防止裝上門板後因負載重量而產生的傾斜。

- 材質：主體-鋁合金、插銷-鐵
- 表面處理：陽極處理銀色、黑色電鍍
- 用途：機械設備、工業機箱等

Equipped with washers to make the hinges have no gaps, which can prevent tilting due to the weight of the load after the door is installed.

- Material: Main body-Aluminum alloy
Latch – Iron
- Finish: Anodized silver, black
- Uses: Mechanical equipment, industrial chassis.



商品型號	顏色
OH-736-1	銀色
OH-736-2	黑色電鍍