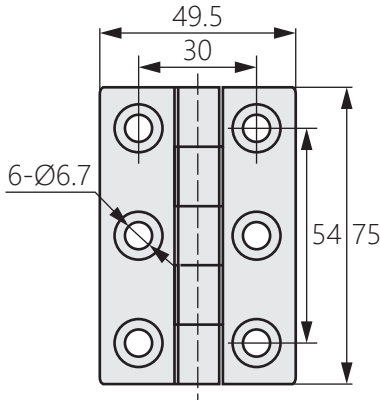


# 不鏽鋼船舶鉸鏈

Stainless steel ship hinge



OH-8081



商品介紹 Product description

- 1.最大開啟角度180度。
- 2.左右對稱設計。

- 材質：不鏽鋼(SUS304)
- 表面處理：鏡面拋光
- 用途：船舶、化工機械、戶外設備等

1. The maximum opening angle is 180 degrees.
2. Left and right symmetrical design.

- Material: Stainless steel(SUS304)
- Finish: Mirror polishing
- Uses: Ships,chemical machinery,outdoor equipment, etc.

