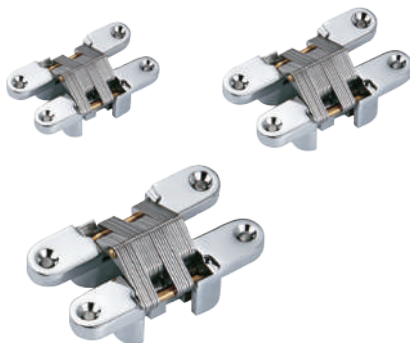


# 180度隱藏式合頁



## OH-95

### 180 degree concealed hinge



#### 商品介紹 Product description

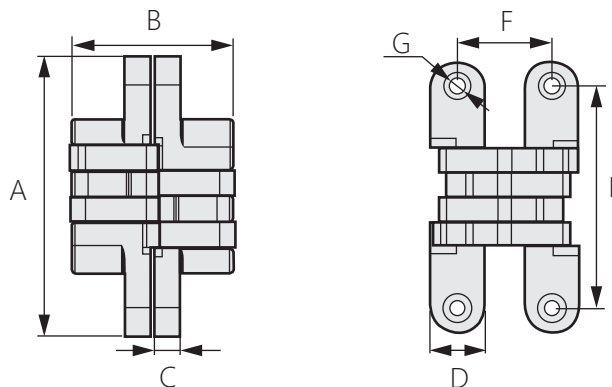
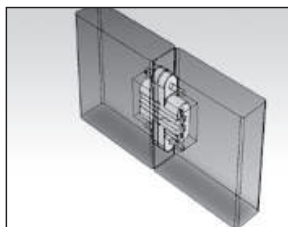
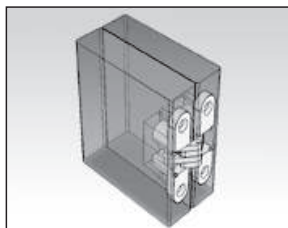
完全隱藏式鉸鏈，允許沉入式面板設計，確保外觀簡約且富專業感。

- 材質：鋅合金
- 表面處理：鍍鉻
- 用途：電子設備外殼、工業機箱等

Fully concealed hinges allow for flush panel design, ensuring a sleek and professional appearance.

- Material: Zinc alloy
- Finish: Chrome plating
- Uses: Electronics enclosures, industrial cases, etc.

安裝示意圖



商品型號	A	B	C	D	E	F	G
OH-95-1	45	37	5	13	31	21.5	Ø4.3
OH-95-2	70	47.5	7	16	51.5	26.5	Ø4.4
OH-95-3	95	54.5	9	19	77.6	33	Ø5