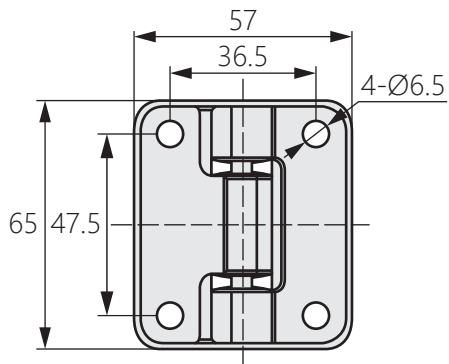
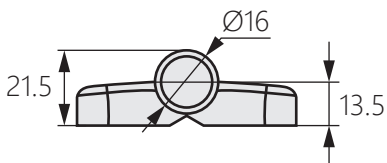


# 尼龍阻尼合頁



## OH-N166

### Nylon damping hinge



### 商品介紹 Product description

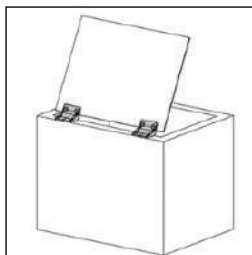
1. 可將門任意停留在任何角度位置，可動範圍內扭矩恆定。
2. 扭矩無須調整。
3. 開關門扭矩對稱。
4. 左右開門兼用。

- 材質：尼龍
- 表面處理：黑色
- 用途：醫療設備、商用廚房等

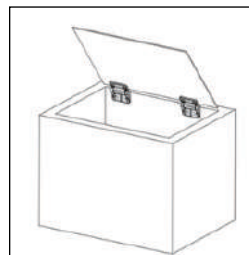
1. The door can be arbitrarily stopped at any angular position, and the torque is constant within the movable range.
2. The torque does not need to be adjusted.
3. The door opening and closing torque is symmetrical.
4. Both the left and right doors are used.

- Material: Nylon
- Finish: Black painting
- Uses: Medical equipment, commercial kitchens, etc.

外裝型



內裝型



商品型號	扭矩 (N.m)
OH-N166-1	1.0
OH-N166-2	2.0
OH-N166-3	3.0
OH-N166-4	4.0
OH-N166-5	5.0
OH-N166-6	6.0