

不鏽鋼可折式把手



TG-0312

Stainless steel foldable handle



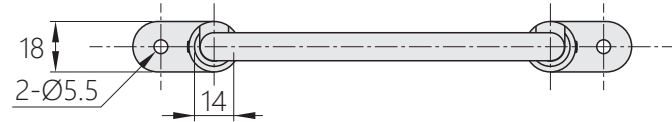
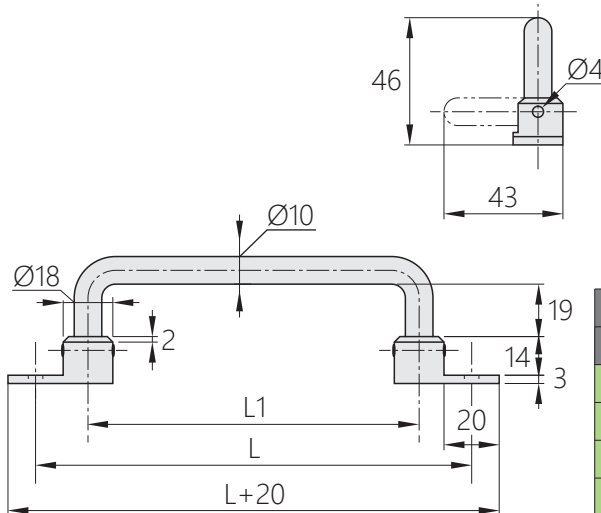
商品介紹 Product description

把手部分可折疊。

- 材質：鋼、不鏽鋼SUS304
- 表面處理：TG-0312-1/不鏽鋼 - 拋光研磨
TG-0312-2/鋼 - 鍍鉻

The handle part is foldable.

- Material: Steel、Stainless steel SUS304
- Finish: TG-0312-1/Stainless steel SUS304
(polishing and grinding)
TG-0312-2/Steel(chrome plated)



商品型號		L	L1	荷重(N)	質量(g)
不鏽鋼	鋼				
TG-0312-1-1	TG-0312-2-1	138	100	650	150
TG-0312-1-2	TG-0312-2-2	158	120	550	160
TG-0312-1-3	TG-0312-2-3	180	142	520	180
TG-0312-1-4	TG-0312-2-4	218	180	500	200