

內部安全手柄

Internal safety handle



TG-100S/TG-101S

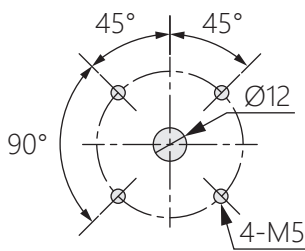
商品介紹 Product description

此產品有夜光材質，易於辨認。

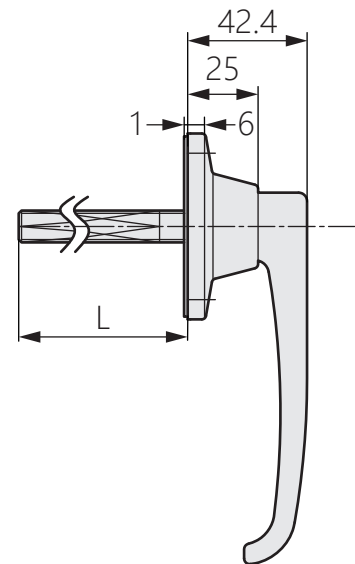
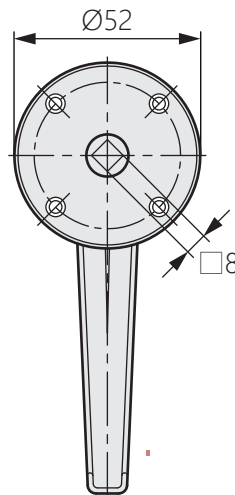
- 材質：鋅合金(ZDC)
- 表面處理：鍍鉻
- 用途：半導體設備、工業機械等
- 備註：TG-100S可搭配使用TM-557
TG-101S可搭配使用TM-560

This product has luminous material for easy identification.

- Material: Zinc alloy(ZDC)
- Finish: Chrome plating
- Uses: Semiconductor equipment, industrial machinery, etc.
- Notes: TG-100S can be used with TM-557.
TG-101S can be used with TM-560.



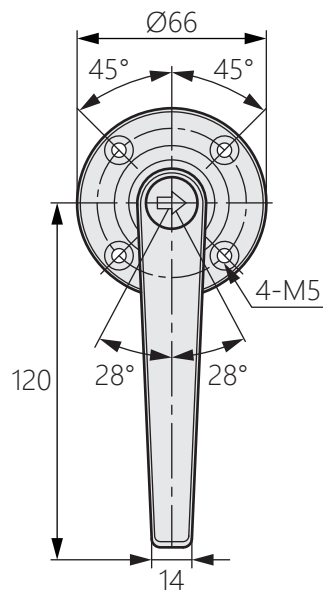
面板鑽孔尺寸



[TG-100S] 系列

*可搭配使用TM-557

商品型號	L
TG-100S-1	80
TG-100S-2	105
TG-100S-3	130
TG-100S-4	155



[TG-101S] 系列

*可搭配使用TM-560

商品型號	L
TG-101S-1	80
TG-101S-2	105
TG-101S-3	130
TG-101S-4	155

