

U型塑膠取手



TG-1054

Plastic handle

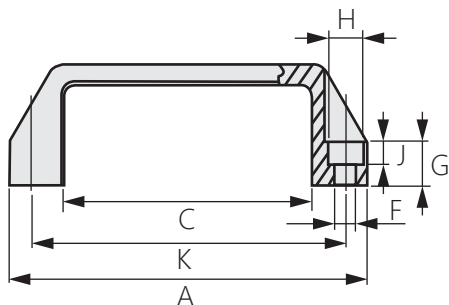
商品介紹 Product description

取手形狀為U型。

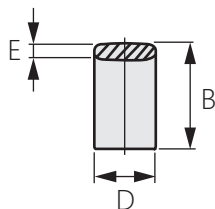
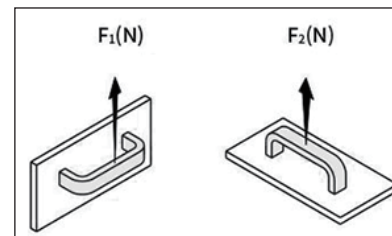
- 材質：PA+玻璃纖維
- 表面處理：黑色
- 用途：食品設備、機箱機櫃等

Toride is U-shaped.

- Material: PA+Glass fiber
- Finish: Black
- Uses: Food equipment, chassis cabinets, etc.



示意圖



商品型號	A	B	C	D	E	F	G	H	J	K	F1(N)	F2(N)
TG-1054-1	107	36	74	21	6	6.5	13	10.5	7	94	2000	1300
TG-1054-2	136.5	41	94.5	26	7	8.5	16	13.5	8.5	117	3000	1700
TG-1054-3	150	44	109	27	7		16			132	2500	1800
TG-1054-4	199	49	155	28	7.5		17		9.5	179	3500	3000