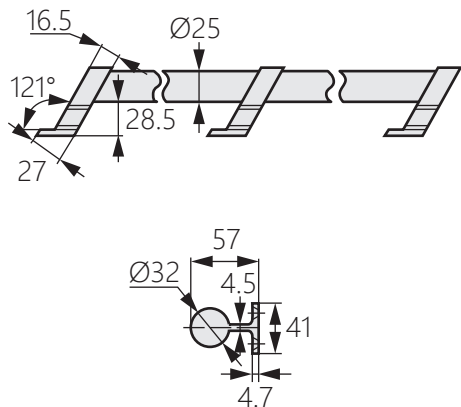


不鏽鋼船舶拉手

Stainless steel ship handle



TG-1395



商品介紹 Product description

1. 三個支撐固定座，中間支撐可調節固定。
2. 沉頭孔安裝。

- 材質：不鏽鋼SUS304
- 表面處理：鏡面拋光
- 用途：船舶、浴室、新能源設備等

1. Three support fixing bases, the middle support can be adjusted and fixed.
2. Countersunk hole installation.

- Material: Stainless steel SUS304
- Finish: Mirror polishing
- Uses: Ships, bathrooms, new energy equipment, etc.

