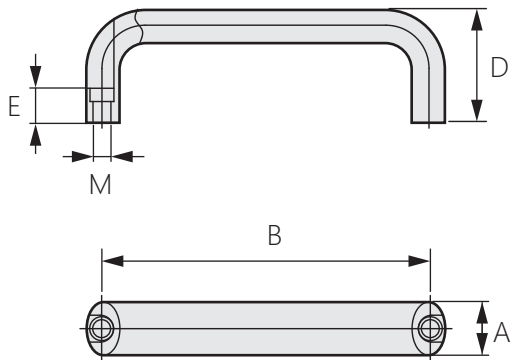


鋁合金把手



TG-1746

Aluminum grip handle



商品介紹 Product description

安裝方便簡單。

- 材質：鋁合金
- 表面處理：陽極銀色、陽極黑色
- 用途：工業機械、醫療、食品設備等

Bright chrome plating.

- Material: Aluminum
- Finish: Anodizing standard silver and black.
- Uses: : Communication Equipment, Food Equipment, Industrial Enclosures, Industrial Machinery, Machine Tools and Metal Cutting, Medical.

商品型號		A	B	M	D	E
陽極黑色	陽極銀色					
TG-1746-1-1	TG-1746-2-1	26	116	6.3	55	17
TG-1746-1-2	TG-1746-2-2		132			
TG-1746-1-3	TG-1746-2-3		164			
TG-1746-1-4	TG-1746-2-4		196			