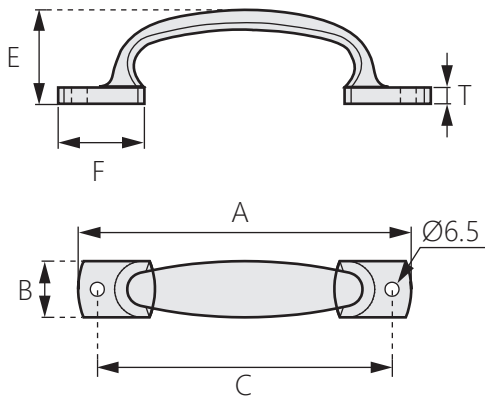


不鏽鋼脫臘鑄造把手

Stainless steel lost wax casting handle



TG-2068



商品介紹 Product description

具出色的耐久性及抗腐蝕能力。

- 材質：不鏽鋼SUS304 脫臘鑄造
- 表面處理：鏡面拋光
- 用途：自動化設備、戶外機櫃

Excellent durability and corrosion resistance.

- Material: Stainless steel SUS304 lost wax casting
- Finish: Mirror polishing
- Uses: Automation equipment, outdoor cabinets.

商品型號	A	B	C	E	F	T
TG-2068-1	145	25	125	34	35	6
TG-2068-2	130	22	115	33	30	
TG-2068-3	120	20	105	30	29	5