

# 折疊把手



## TG-503

### Folding handle



### 商品介紹 Product description

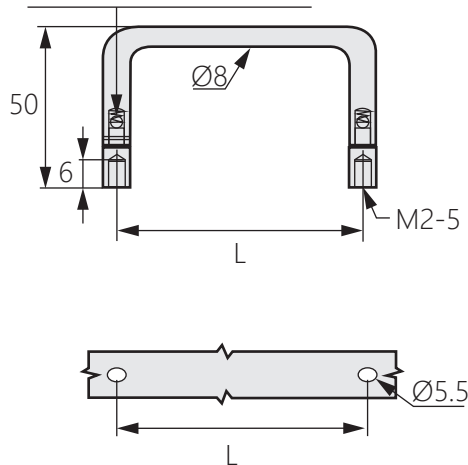
內安裝定位彈簧和鋼珠。

- 材質：不鏽鋼、鐵
- 表面處理：TG-503-1/鉻  
TG-503-2/鏡光

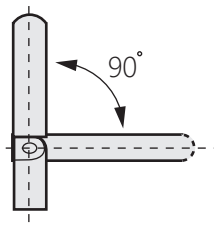
Install the positioning spring and steel ball.

- Material: Stainless steel、Iron
- Finish: TG-503-1/Chromium  
TG-503-2/Mirror

內安裝定位彈簧和鋼珠



開孔尺寸



商品型號		L
鐵	不鏽鋼	
TG-503-1-1	TG-503-2-1	72
TG-503-1-2	TG-503-2-2	80
TG-503-1-3	TG-503-2-3	90
TG-503-1-4	TG-503-2-4	100
TG-503-1-5	TG-503-2-5	120