

折疊把手



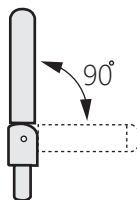
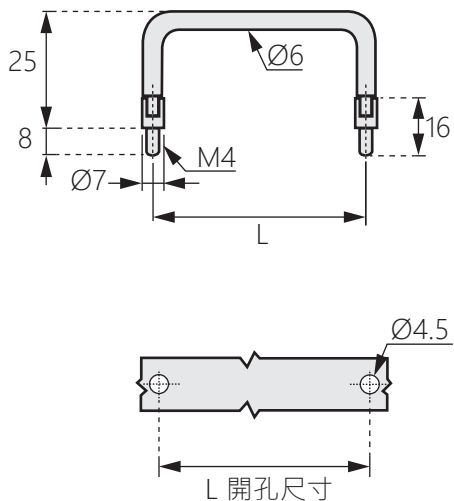
TG-508

Folding handle



商品介紹 Product description

- 材質：不鏽鋼、鐵
 - 表面處理：TG-508-1/鏡光
TG-508-2/鉻
-
- Material: Stainless steel、Iron
 - Finish: TG-508-1/Mirror
TG-508-2/Chromium
-



商品型號		L
不鏽鋼	鐵	
TG-508-1-1	TG-508-2-1	55
TG-508-1-2	TG-508-2-2	60
TG-508-1-3	TG-508-2-3	70
TG-508-1-4	TG-508-2-4	74
TG-508-1-5	TG-508-2-5	84
TG-508-1-6	TG-508-2-6	90
TG-508-1-7	TG-508-2-7	100
TG-508-1-8	TG-508-2-8	102
TG-508-1-9	TG-508-2-9	122
TG-508-1-10	TG-508-2-10	138