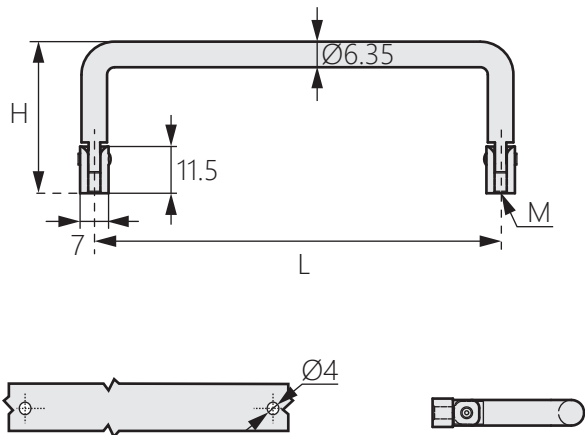


四方把手

Square handle



TG-519



商品介紹 Product description

- 1.手把折彎角度有90度與180度可供挑選。
- 2.另有不鏽鋼材質可選購，型號為TG-519-1-1S...

- 材質：鐵、不鏽鋼
- 表面處理：鍍鉻、震動研磨
- 備註：特殊規格，可協助開發生產。

1. There are 90-degree and 180-degree bending angles for the handlebars.
2. Another stainless steel material can be purchased ,the model is TG-519-1-1S...

- Material: Iron, stainless steel
- Finish: Chromium, vibration grinding
- Notes: Special specifications can assist development and production.

商品型號		L	H	M
90度	180度			
TG-519-1-1	TG-519-2-1	51	27	M3
TG-519-1-2	TG-519-2-2	60	35	
TG-519-1-3	TG-519-2-3	73	44.5	
TG-519-1-4	TG-519-2-4	30	37.3	6-32
TG-519-1-5	TG-519-2-5	55	42.3	
TG-519-1-6	TG-519-2-6	100	37.3	