

# 斜拉把手



**TG-521**

## Diagonal pull handle



### 商品介紹 Product description

- 材質：不鏽鋼、鋁
- 表面處理：TG-521-1：鏡光、拉絲  
TG-521-2：鏡光、氧化、噴砂、烤漆
- 備註：TG-521-2-2B(W)、TG-521-2-3B(W)兩者有黑色與銀色。

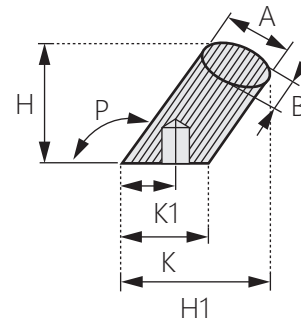
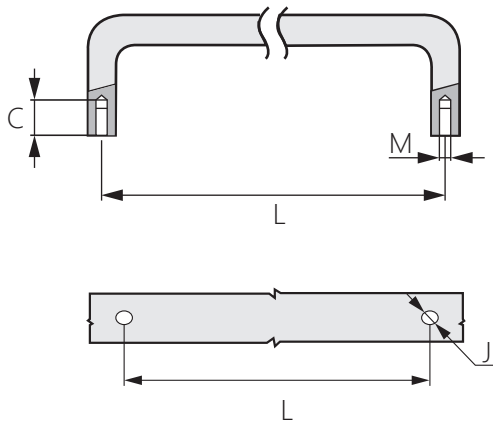
● Material: Stainless steel, Aluminum

● Finish:

TG-521-1: mirror, drawing

TG-521-2: mirror, oxidation, sand blasting, baking paint

● Notes: TG-521-2-2B(W), TG-521-2-3B(W) are available in black and silver.



商品型號		L	A	B	H	M	C	H1	K	K1	P	J
不鏽鋼	鋁											
TG-521-1-1	TG-521-2-1	100	26	17	54	M8	12	47.4	28.7	14.3	115°	Ø9
TG-521-1-2	TG-521-2-2	128										
TG-521-1-3	TG-521-2-3	160										
TG-521-1-4	TG-521-2-4	112	20	13	48	M6	10	39.5	22.5	11.5	120°	Ø7
TG-521-1-5	TG-521-2-5	128			41							
TG-521-1-6	TG-521-2-6	114			12							
TG-521-1-7	TG-521-2-7	152			24							
TG-521-1-8	TG-521-2-8	203			13.5							