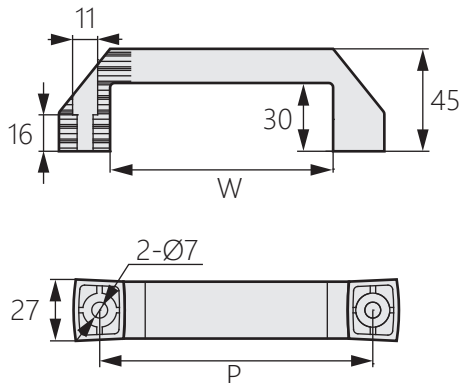


鋁合金橢圓管型把手



TG-692

Aluminum round bar handle



商品介紹 Product description

安裝簡便，提供多種尺寸。

- 材質：圓管-鋁合金、支座-黑色尼龍玻璃纖維
- 表面處理：銀色
- 用途：食品設備、工業機械、機床等

Easy to install and available in a variety of sizes.

- Material: Round Bar-Aluminum
Seat-Nylon Glass Fiber(Black)
- Finish: Silver
- Uses: Food equipment, industrial machinery, machine tools, etc.

商品型號	P	W	荷重
TG-692-1	120	100	53kg
TG-692-2	140	120	42kg
TG-692-3	170	150	38kg