

# 鋁合金圓管型把手



TG-693

## Aluminum round bar handle

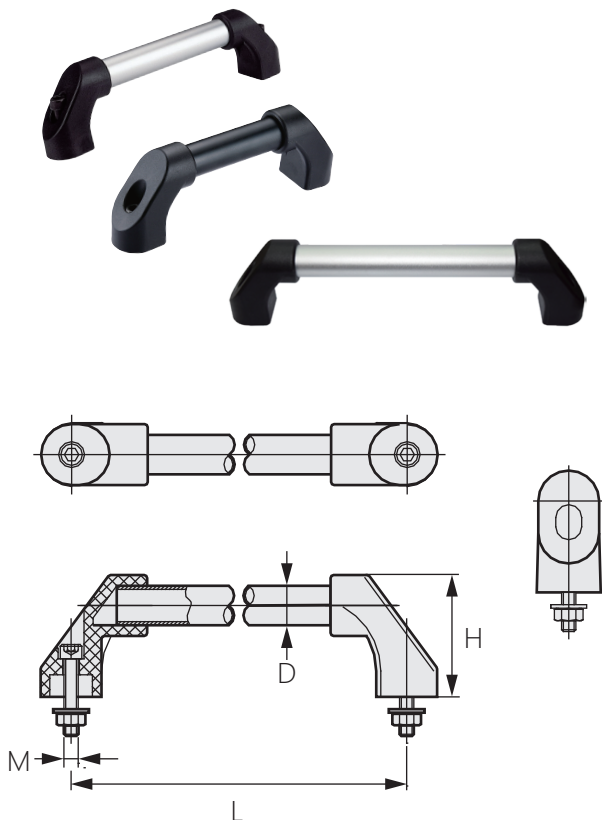
### 商品介紹 Product description

安裝簡便，提供多種尺寸。

- 材質：圓管-鋁合金、支座-黑色尼龍玻璃纖維螺栓-鐵
- 表面處理：銀色、黑色
- 用途：食品設備、工業機械、機床等

Easy to install and available in a variety of sizes.

- Material: Round Bar-Aluminum, Seat-Nylon Glass Fiber Bolt-steel
- Finish: Silver, black
- Uses: Food equipment, industrial machinery, machine tools, etc.



商品型號		D	L	C	H
黑色	銀色				
TG-693-1-1	TG-693-2-1	30	200	M10	80
TG-693-1-2	TG-693-2-2		300		
TG-693-1-3	TG-693-2-3		350		
TG-693-1-4	TG-693-2-4		400		
TG-693-1-5	TG-693-2-5		500		
TG-693-1-6	TG-693-2-6		600		
TG-693-1-7	TG-693-2-7		700		