

不鏽鋼圓管型把手



TG-7373

Stainless steel round tube handle



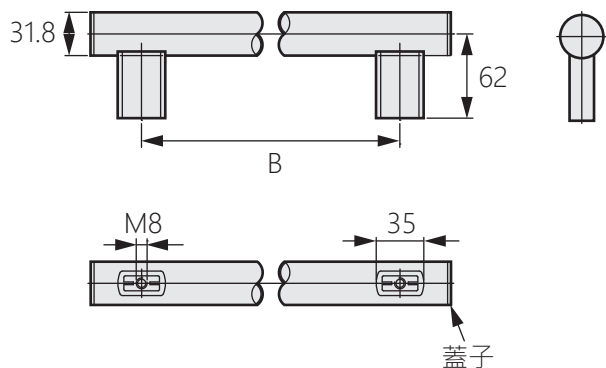
商品介紹 Product description

安裝方便簡單。

- 材質：圓管/不鏽鋼、支座/尼龍玻纖、螺栓/鐵
- 表面處理：鐵、螺栓/鍍鋅
- 用途：工業機械、醫療、食品設備等

Installation is easy and convenient.

- Material: Round tube/stainless steel, Support/nylon fiberglass,Bolt/iron
- Finish: Electroplating bright chrome
- Uses: Industrial machinery,medical,food equipment,etc.



商品型號	B
TG-7373-1	200
TG-7373-2	250
TG-7373-3	300
TG-7373-4	400
TG-7373-5	500
TG-7373-6	600
TG-7373-7	918