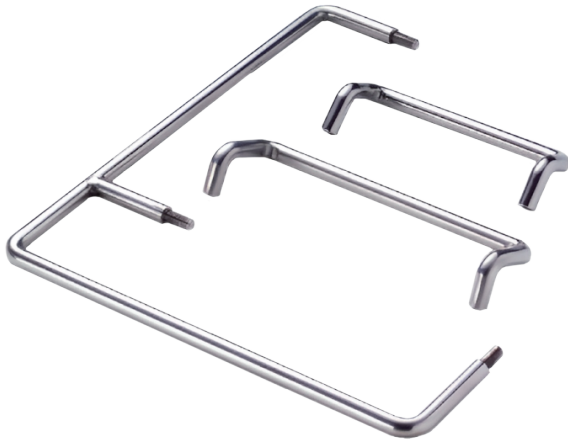


# 圓形不鏽鋼把手

## Round stainless steel handle



TG-812



### 商品介紹 Product description

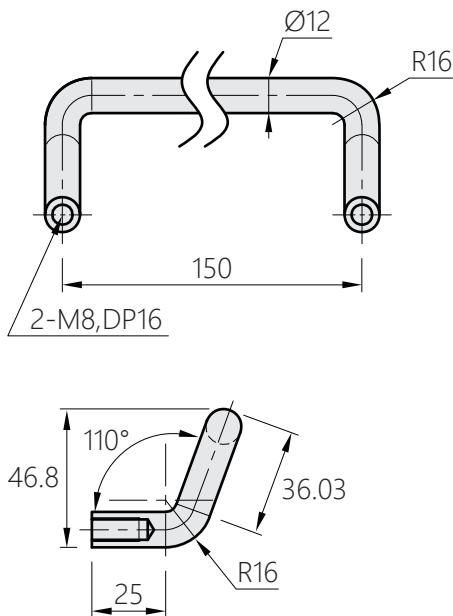
由不鏽鋼材質製成，具有優異的耐腐蝕性和耐用性。

- 材質：不鏽鋼
- 表面處理：滾筒拋光
- 用途：通訊設備、半導體設備、OA設備、化學設備、檢測設備等

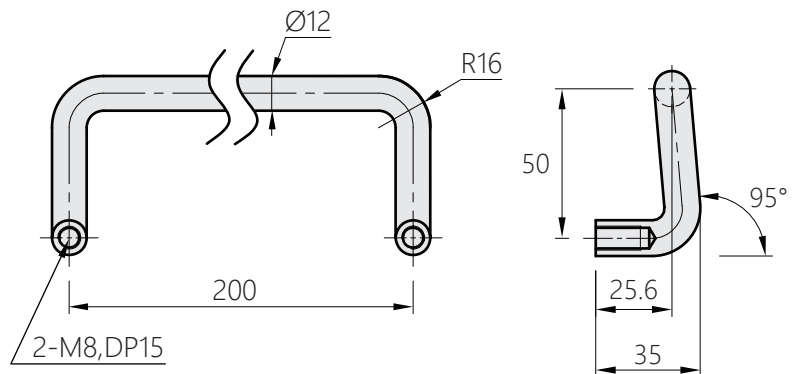
Made of stainless steel with excellent corrosion resistance and durability.

- Material: Stainless steel
- Finish: Barrel polishing
- Uses: IT equipment, Semiconductor equipment, OA Equipment, Physico-chemistry instruments, Testing apparatus, etc.

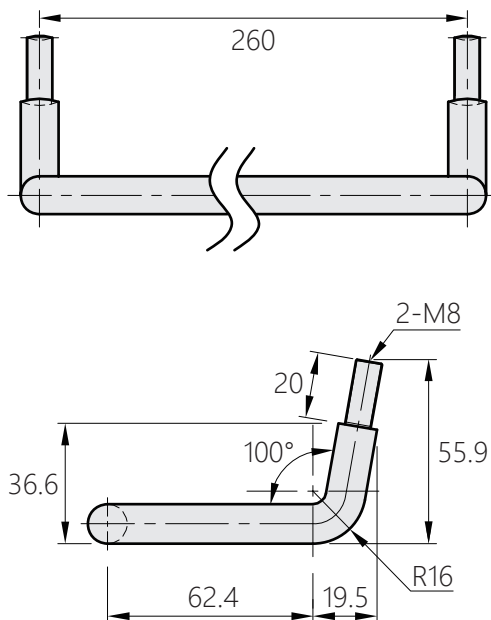
[TG-812-1]



[TG-812-2]



[TG-812-3]



[TG-812-4]

