

# 鋅合金把手

## General Handle



TG-813



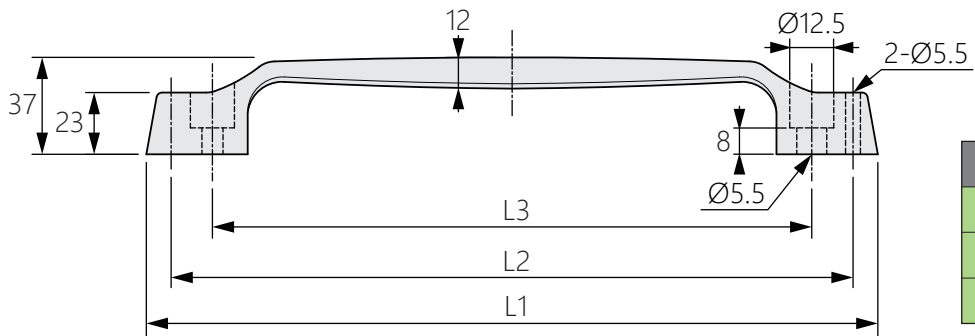
### 商品介紹 Product description

透過使用蓋子使外觀更加精緻。

- 材質：把手 - 鋅合金(ZDCII)、把手蓋 - ABS
- 表面處理：鍍鉻(MZCr) - 光澤
- 用途：資訊通訊設備、半導體設備、OA設備、理化設備、檢測設備等

The use of covers has refined the appearance.

- Material: HANDLE - Zinc alloy (ZDCII)  
HANDLE CAP - ABS
- Finish: Chrome plating(MZCr) - Luster
- Uses: IT equipment, Semiconductor equipment, OA equipment, Physico-chemistry instruments, Testing apparatus, etc.



商品型號	L1	L2	L3
TG-813-1	220	200	170
TG-813-2	270	250	220
TG-813-3	320	300	270

