

Container lock

商品介紹 Product description

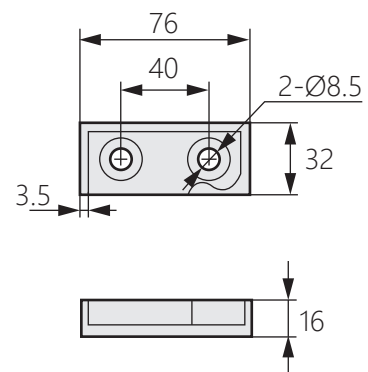
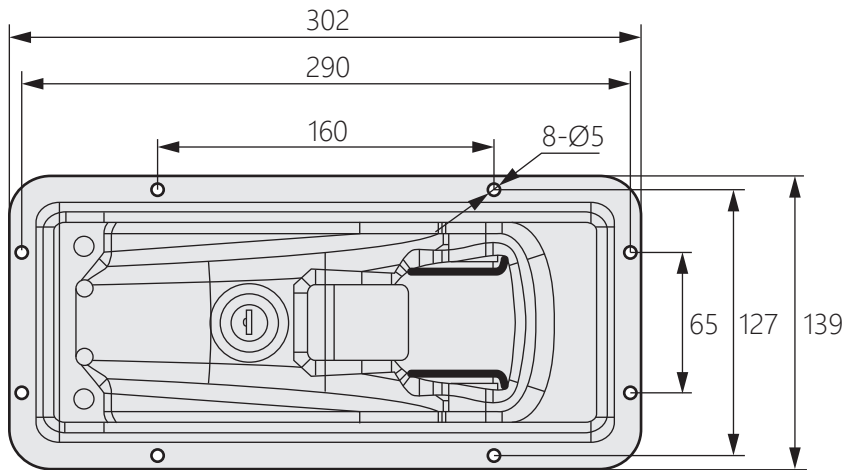
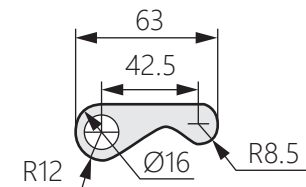
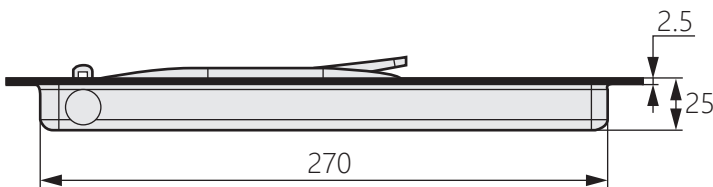
- 1.帶鎖芯可鎖定不被彈開，手柄包膠。
- 2.具有強力扣緊功能。



- 材質：不鏽鋼(SUS304)
- 表面處理：拋光及電解
- 用途：特種設備車、冷凍車、製冷車等
- 備註：聯動桿根據實際所需長度自行配置。

1. The lock cylinder can be locked without being bounced off, and the handle is covered with glue.
2. Has a powerful fastening function.

- Material: Stainless steel(SUS304)
- Finish: Mirror polishing
- Uses: Chassis cabinets, containers, ships, etc.
- Notes: This is a customized product.



示意圖

