

密閉聯動門把手



TM-0418

Closed linkage handle

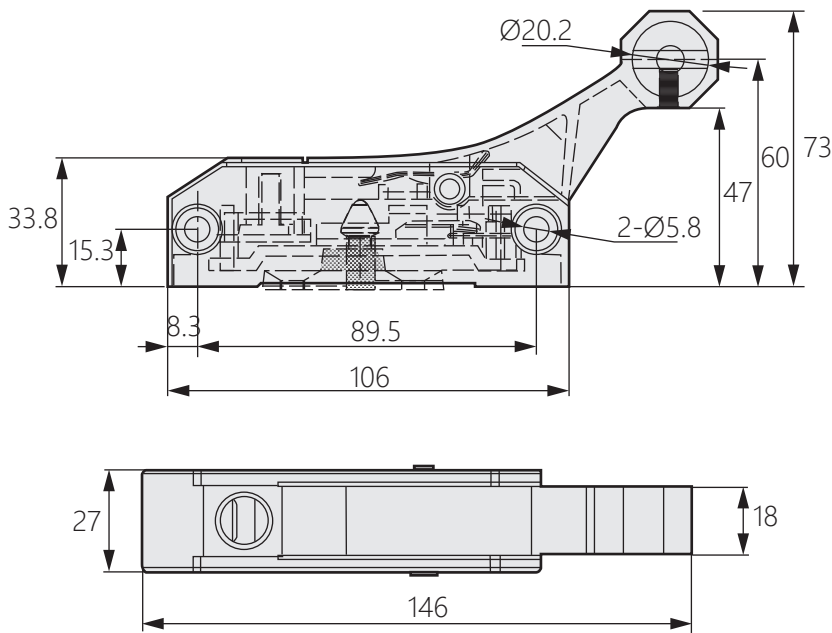
商品介紹 Product description

連接鋼管，可同步操作大型門的兩處鎖點。

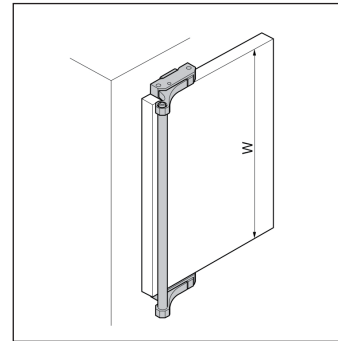
- 材質：鋅合金
- 表面處理：鍍亮鉻
- 用途：組合式冷藏冷凍庫、步入式試驗箱等
- 備註：座子可配TH-0418-1,TH-0418-2
不鏽鋼管需要自配，全不鏽鋼材質為訂製品。

Connecting steel pipes can simultaneously operate two lock points of large doors.

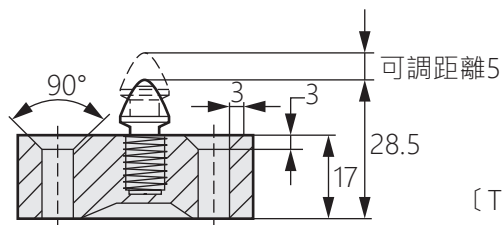
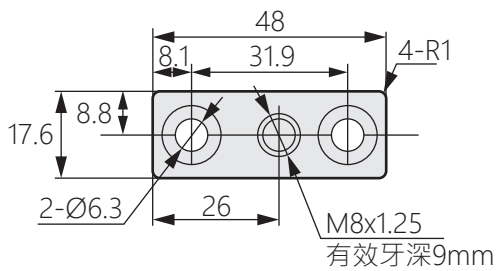
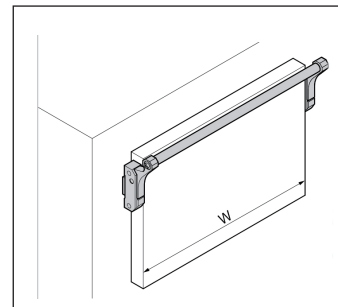
- Material: Zinc alloy(ZDC)
- Finish: Bright chrome
- Uses: Combined refrigerated freezer, walk-in test box, etc.
- Notes: The seat can be equipped with TH-0418-1, TH-0418-2, the stainless steel tube needs to be equipped by yourself, all stainless steel materials are customized products.



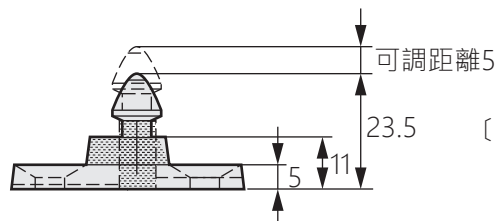
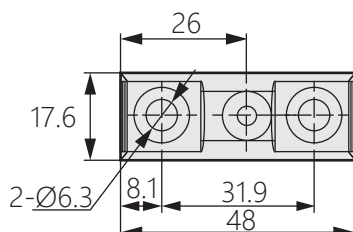
冷凍庫安裝圖



烤箱安裝圖



〔TH-0418-1〕高座



〔TH-0418-2〕矮座