

# 平面回壓式門鎖



TM-055

Panel lock



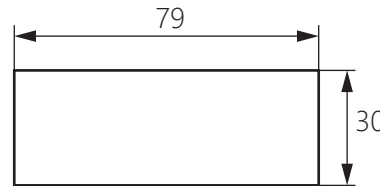
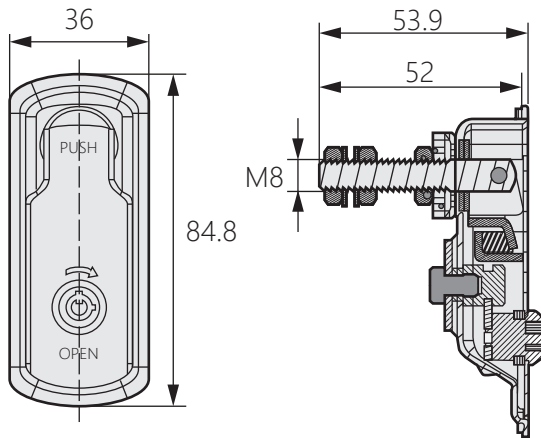
商品介紹 Product description

具有伸縮迫緊功能。

- 材質：不鏽鋼SUS304
- 表面處理：拉絲拋光
- 用途：機箱、機櫃、配電箱等
- 備註：鎖片軸心孔設計四點定位，可快速方便組裝完全不鬆動。

With telescopic compression function.

- Material: Stainless steel(SUS304)
- Finish: Brushed and polished
- Uses: Chassis, cabinet, distribution box, etc.
- Notes: The lock plate axis hole is designed with four-point positioning, which can be quickly and easily assembled without looseness.



開孔尺寸

商品型號	樣式
TM-055-1	有鎖
TM-055-2	無鎖