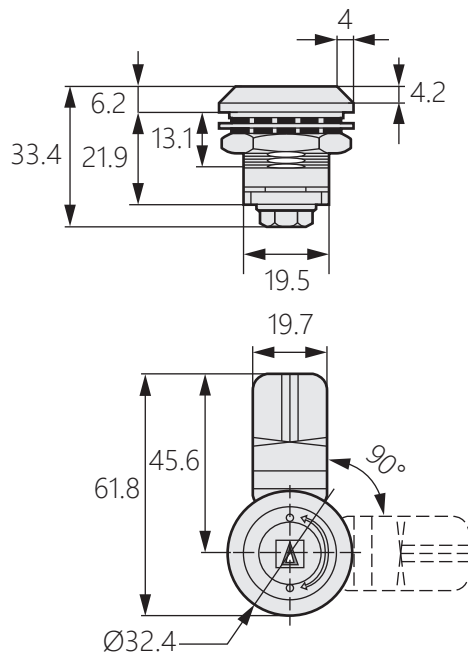


戶外防水迴轉鎖



TM-063D-6

Outdoor waterproof swing lock



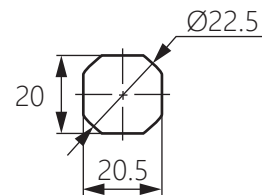
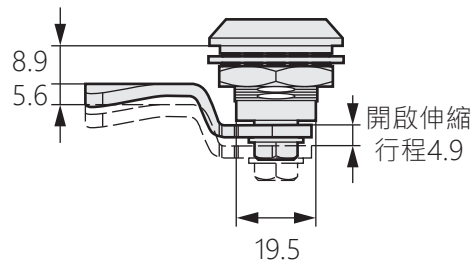
商品介紹 Product description

密封性能良好，具有回壓縮性能。

- 材質：不鏽鋼304
- 表面處理：拉絲拋光
- 用途：高等電力箱、控制箱、自動化設備使用的箱體

Good sealing performance and With back compression performance.

- Material: Stainless steel 304
- Finish: Brushed and polished
- Uses: Boxes used in higher power boxes, control boxes, and automation equipment.



開孔尺寸