

# 高溫箱把手鎖



TM-0681

## High temperature box handle lock



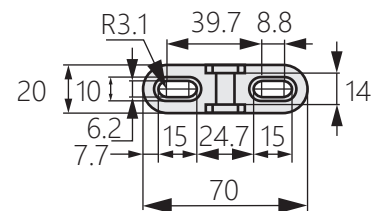
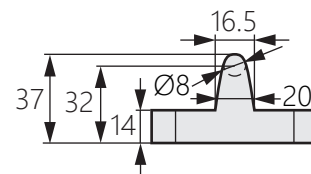
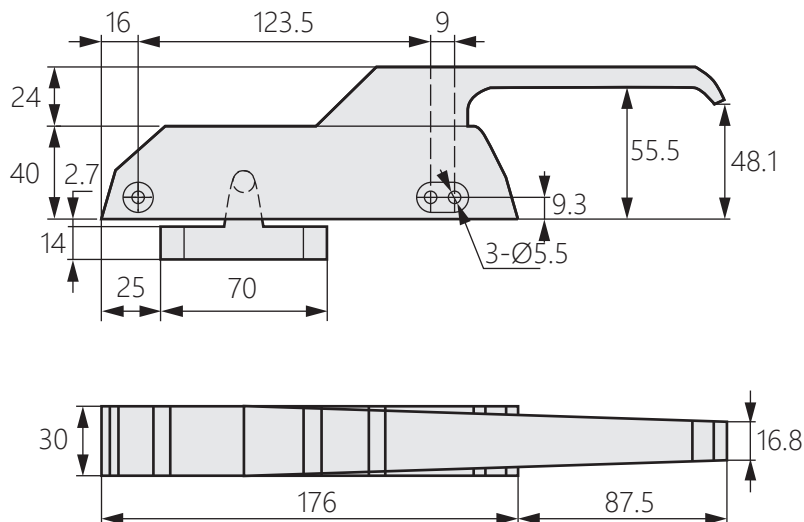
### 商品介紹 Product description

- 1.二次開門式專利設計。
- 2.配有黑色膠墊。

- 材質：鋅合金
- 表面處理：鍍亮鉻
- 用途：高溫烤箱、試驗箱、恆溫恆濕箱

1. Patented design of two-time door opening.
2. Equipped with black rubber pad.

- Material: Zinc alloy
- Finish: Bright chrome
- Uses: High temperature oven, test box, constant temperature and humidity box.



安裝座子尺寸圈