

Zinc alloy pressing door handle

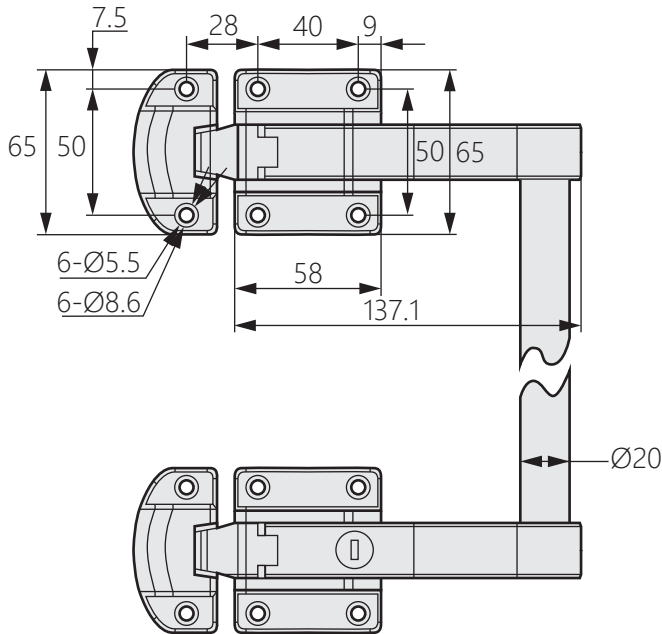
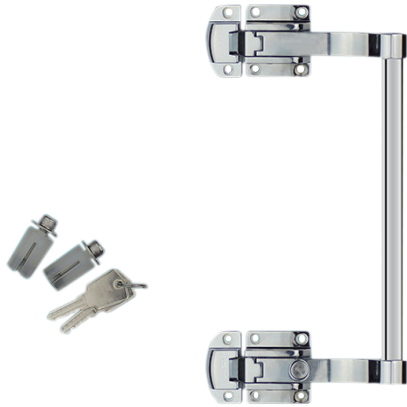
商品介紹 Product description

1. 配戴鎖芯，單點鎖定。
2. 內置彈簧結構，方便開啟和關閉。
3. 不鏽鋼管需要自配。

- 材質：鋅合金
- 表面處理：鍍亮鉻
- 用途：烤箱、試驗箱、測試箱體

1. Wear a lock core, single-point locking.
2. Built-in spring structure, easy to open and close.
3. Stainless steel pipes need to be self-made.

- Material: Zinc alloy(ZDC)
- Finish: Bright chrome
- Uses: Oven, test box, test box.



安裝示意圖

