

# 不鏽鋼密閉防震把手鎖



## TM-1011

### Stainless steel sealed shockproof handle lock

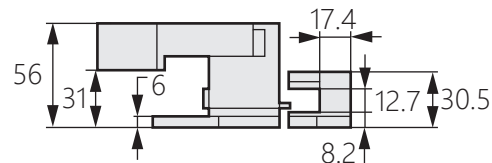
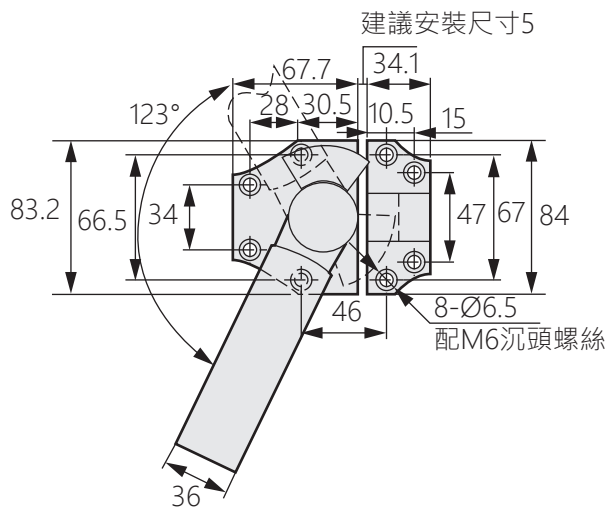
### 商品介紹 Product description

手柄包膠 · 可用於高溫箱體。

- 材質：不鏽鋼(SUS304)
- 表面處理：拉絲拋光
- 用途：廚房設備、蒸汽箱、烤箱等

The handle is encapsulated and can be used for high-temperature cabinets.

- Material: Stainless steel(SUS304)
- Finish: Brushed and polished
- Uses: Kitchen equipment, steam box, oven, etc.



商品型號	樣式
TM-1011-L	左開
TM-1011-R	右開