

L型鋅合金防水手柄

L-shaped zinc alloy waterproof handle



TM-105



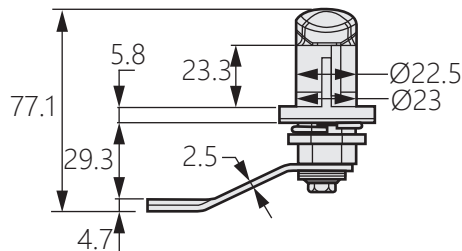
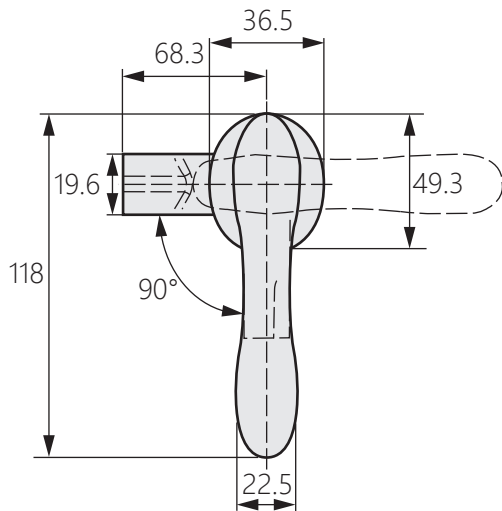
商品介紹 Product description

- 1.可供單點、兩點、三點鎖閉使用。
- 2.分左右開門兩款，可加掛鎖。

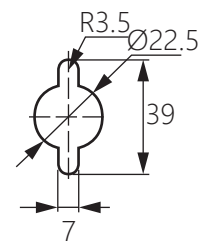
- 材質：鋅合金
- 表面處理：鍍亮鉻
- 用途：控制箱、電力箱、機箱機櫃

1. Available for single-point, two-point and three-point locking.
2. There are two types of left and right door openings, and padlocks can be added.

- Material: Zinc alloy(ZDC)
- Finish: Bright chrome
- Uses: Control box, power box, chassis cabinet.



開孔尺寸



商品型號	樣式
TM-105-L	左開
TM-105-R	右開