

按鈕式把手



TM-108

Push button handle

商品介紹 Product description

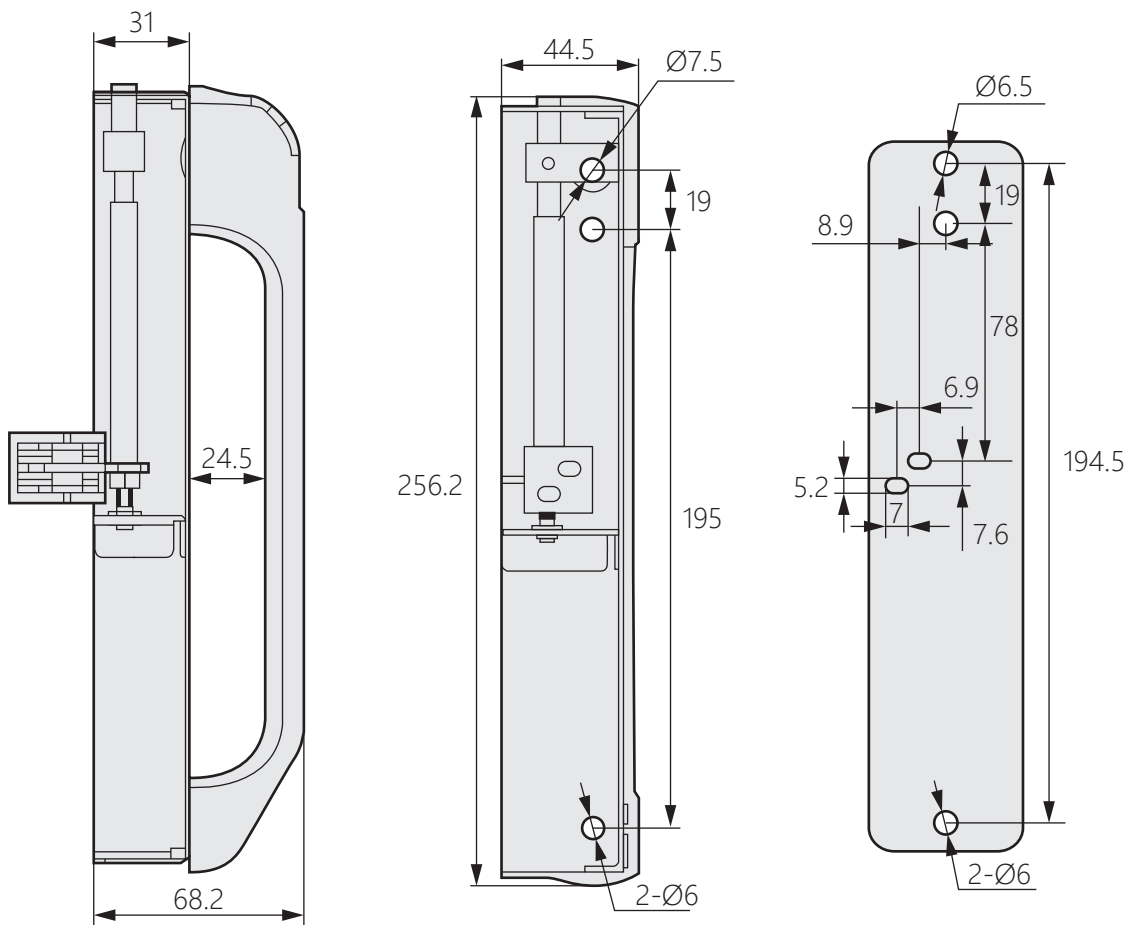
1. 座子高度可以調節。
2. 撞擊關門，按壓式開門，開關簡易。



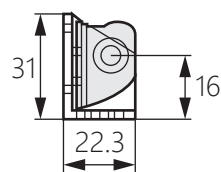
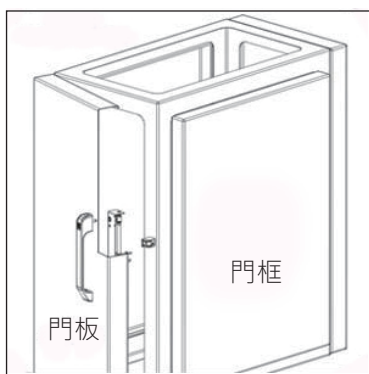
- 材質：鋅合金
- 表面處理：珍珠鉻
- 用途：藥品穩定箱、恆溫試驗箱、醫療設備等

1. The height of the seat can be adjusted.
2. Shock to close the door, push-type to open the door, easy to open and close.

- Material: Zinc alloy(ZDC)
- Finish: Pearl Chrome
- Uses: Drug stability chamber, constant temperature test chamber, medical equipment, etc.



安裝示意圖



座子調節範圍
16-22mm

商品型號	樣式
TM-108-L	左開
TM-108-R	右開