

L型安全工業門鎖

L-shaped safety industrial door lock



TM-114



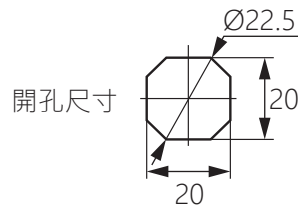
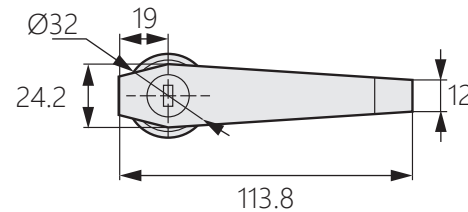
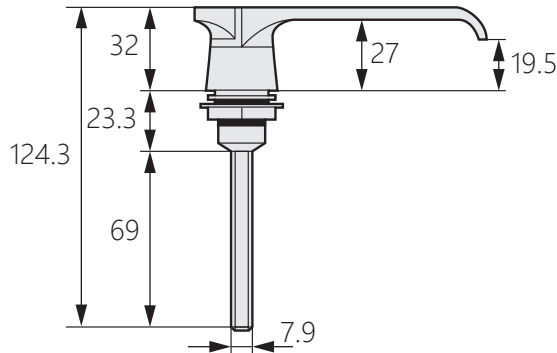
商品介紹 Product description

具良好迫緊功能·開關時回饋良好。

- 材質：鋅合金(ZDC)
- 表面處理：鍍亮鉻
- 用途：機箱機櫃、配電盤等

It has a good pressing function and good feedback when switching.

- Material: Zinc alloy (ZDC)
- Finish: Bright chrome plating
- Uses: Chassis cabinets, power distribution boards, etc.



商品型號	樣式
TM-114-1	有鎖芯
TM-114-2	無鎖芯