

Industrial hood silent box lock

商品介紹 Product description

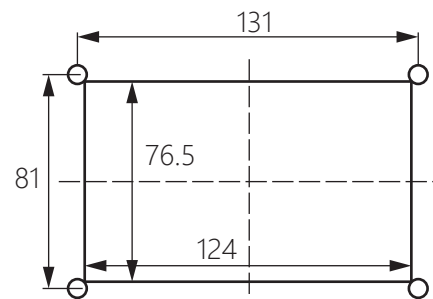
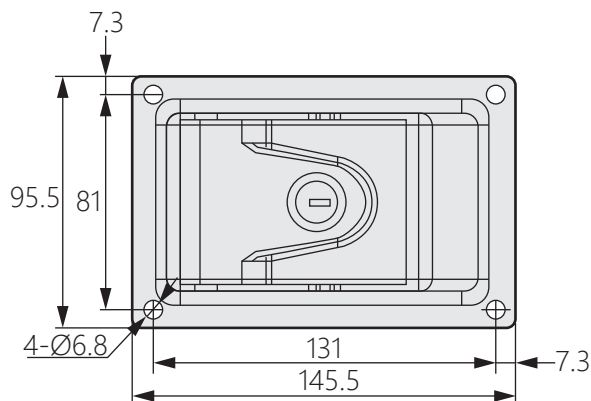
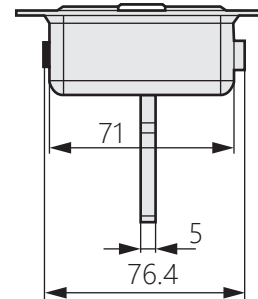
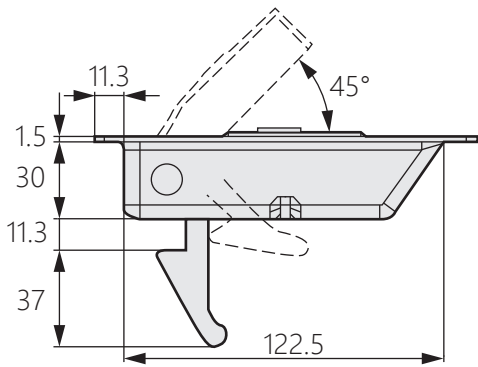
1. 平面型手柄，帶鎖芯鎖定。
2. 採單點鎖定形式。
3. 鎖孔處附有防塵蓋，提高其防塵性。



- 材質：冷軋鋼板(SPCC)
- 表面處理：黑色烤漆
- 用途：工程車、特種車、震動設備等。
- 備註：為確保產品經久耐用，請定期在轉動部位上塗抹潤滑油。

1. Flat handle with lock core lock.
2. Adopt single-point locking form.
3. A dust cover is attached to the key hole to improve its dust resistance.

- Material: Cold rolled steel plate (SPCC)
- Finish: Black painting
- Uses: Engineering vehicles, special vehicles, vibration equipment, etc.
- Notes: To ensure the product is durable, please apply lubricating oil on the rotating parts regularly.



開孔尺寸

