

Industrial hood silent box lock

商品介紹 Product description

1. 平面型手柄，帶鎖芯鎖定。
2. 底座可調整，適合不同的鎖定高度。



[TM-125-1]

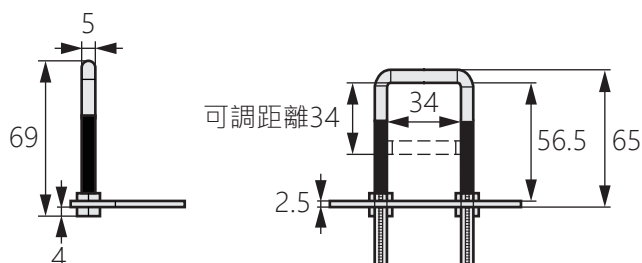
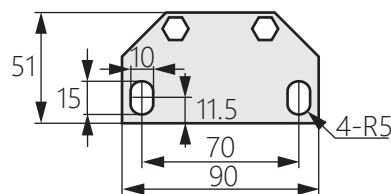
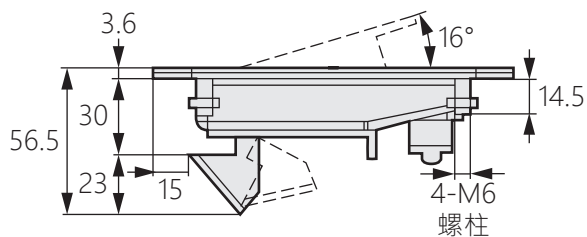
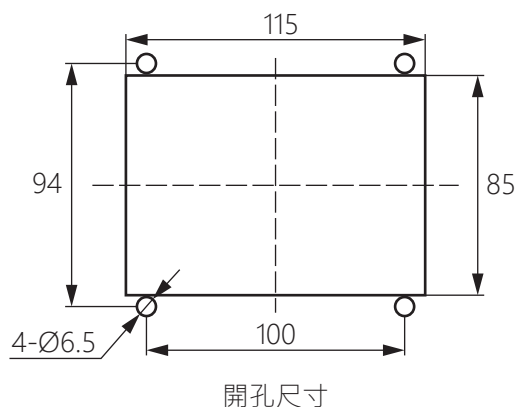
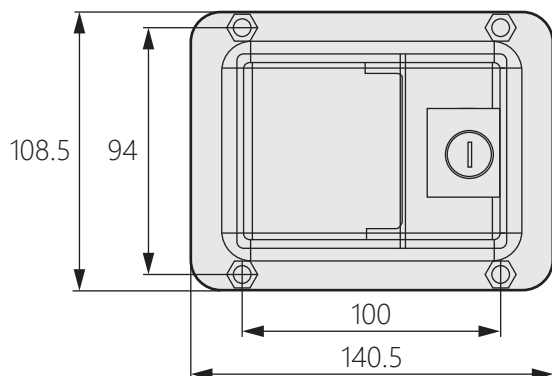


[TM-125-2]

- 材質：冷軋鋼板(SPCC)
- 表面處理：黑色烤漆
- 用途：工程車、特種車、震動設備等
- 備註：為確保產品經久耐用，請定期在轉動部位上塗抹潤滑油。

1. Flat handle with lock core lock.
2. The base is adjustable and suitable for different locking heights.

- Material: Cold rolled steel plate (SPCC)
- Finish: Black painting.
- Uses: Engineering vehicles, special vehicles, vibration equipment, etc.
- Notes: To ensure the product is durable, please apply lubricating oil on the rotating parts regularly.



商品型號	固定
TM-125-1	內固定
TM-125-2	外固定