

不鏽鋼機罩鎖



TM-128-2

Stainless steel hood lock

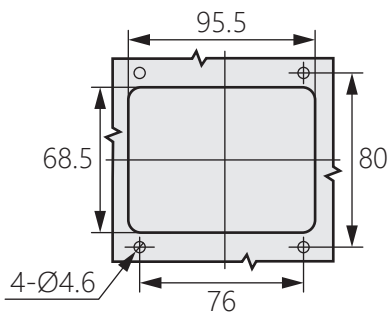
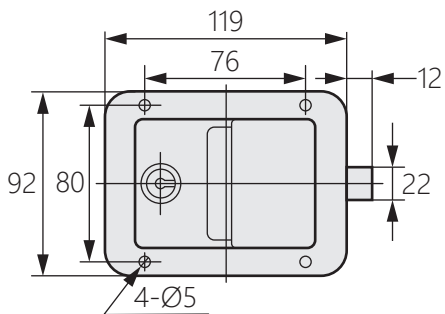
商品介紹 Product description

平面型手柄・帶鎖芯鎖定。

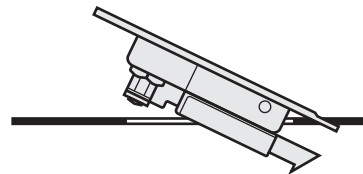
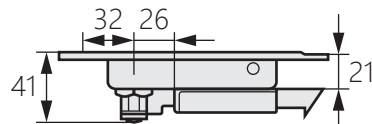
- 材質：不鏽鋼(SUS304)
- 表面處理：鏡面拋光
- 用途：改裝車、特種車、震動設備等

Flat handle with lock core lock.

- Material: Stainless steel 304
- Finish: Mirror polishing
- Uses: Modified vehicles, special vehicles, vibration equipment, etc.



開孔尺寸



安裝示意圖