

不鏽鋼機罩鎖



TM-128

Stainless steel hood lock



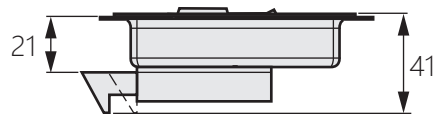
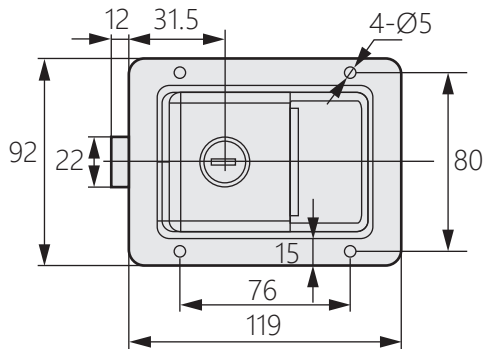
商品介紹 Product description

1. 平面型手柄 · 帶鎖芯鎖定。
2. 內置彈簧結構 · 方便開啟和關閉。

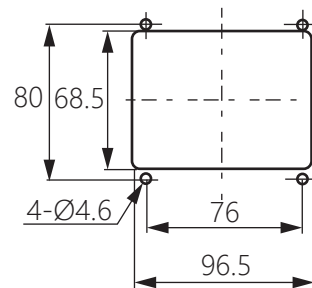
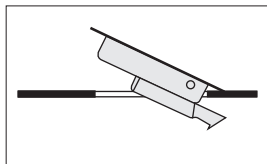
- 材質：不鏽鋼(SUS304)
- 表面處理：鏡面拋光
- 用途：改裝車、特種車、震動設備等

1. Flat handle with lock core lock.
2. Built-in spring structure, easy to open and close.

- Material: Stainless steel 304
- Finish: Mirror polishing
- Uses: Modified vehicles, special vehicles, vibration equipment, etc.



安裝示意圖



開孔尺寸