

庫門把手鎖



TM-131

Warehouse door handle lock



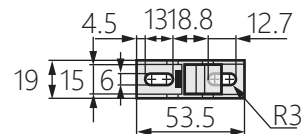
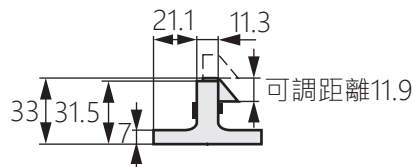
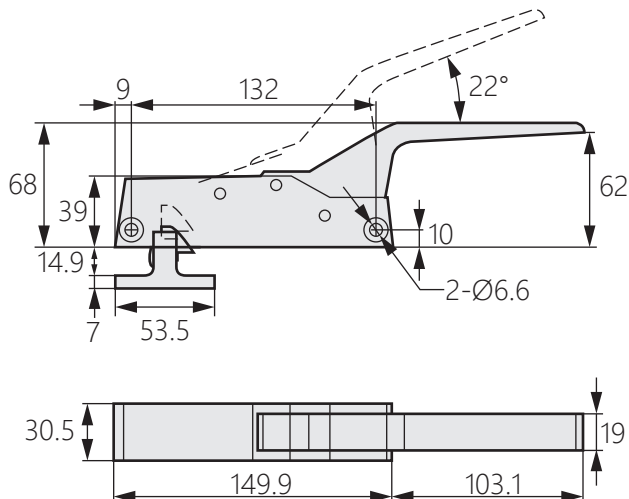
商品介紹 Product description

1. 座子高度可調節範圍：17-30mm。
2. 內置彈簧結構，方便開啟和關閉。

- 材質：鋅合金
- 表面處理：鍍亮鉻
- 用途：冷凍設備、廚房設備、醫療設備

1. The adjustable range of seat height:17-30mm.
2. Built-in spring structure, easy to open and close.

- Material: Zinc alloy
- Finish: Bright chrome
- Uses: Refrigeration equipment, kitchen equipment, medical equipment.



安裝座子尺寸圖