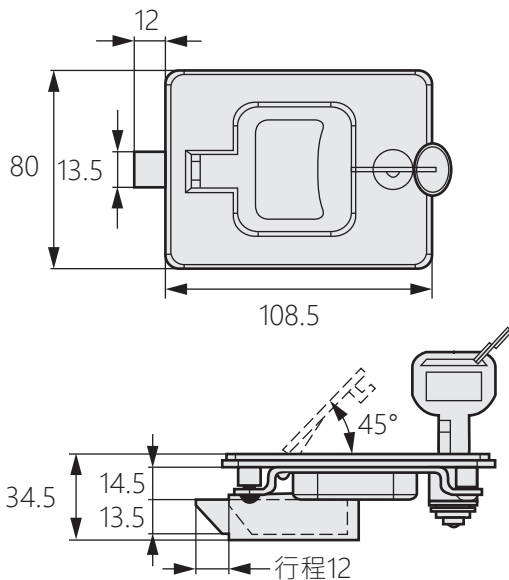


# 防震面板鎖



TM-141

## Shockproof panel lock



## 商品介紹 Product description

- 1.平面型把手，帶鎖芯鎖定。
- 2.單點鎖閉結構，鎖芯帶有防塵蓋。

- 材質：鋅合金
- 表面處理：黑色烤漆
- 用途：改裝車、特種車、震動設備等。

1. Flat handle with lock core lock.
2. Single-point locking structure, the lock cylinder is equipped with a dust cover.

- Material: Zinc alloy
- Finish: Black painting
- Uses: Modified vehicles, special vehicles, vibration equipment, etc.

