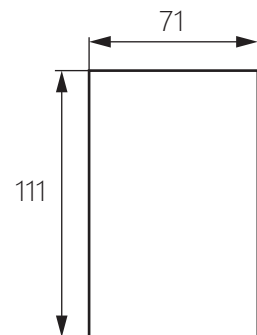
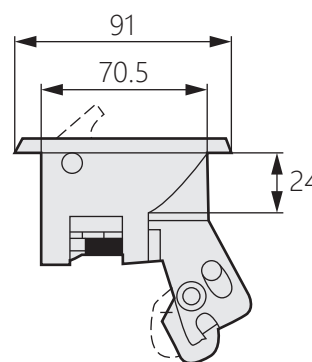
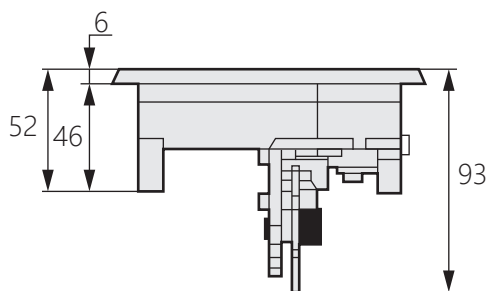
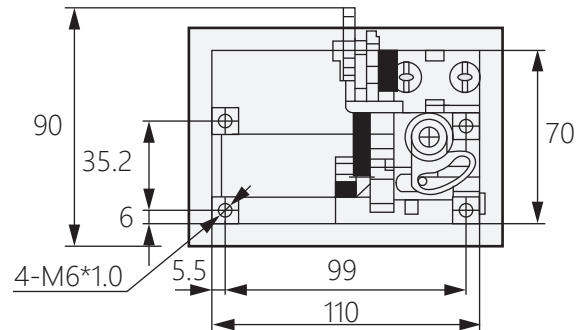
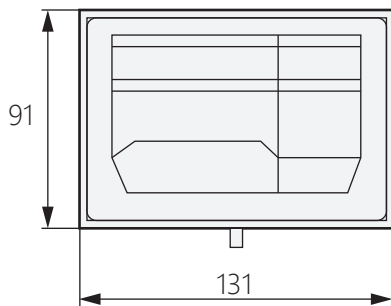


商品介紹 Product description

1. 平面型手柄 · 帶鎖芯鎖定。
2. 單點鎖閉結構 · 鎖芯帶防塵蓋。



- 材質：鋅合金(ZDC)
 - 表面處理：黑色烤漆
 - 用途：特種車、改裝車、震動設備等
 - 備註：為確保產品經久耐用，請定期在轉動部位上塗抹潤滑油。
-
1. Flat handle with lock core lock.
 2. One-point locking structure, the lock core with a dust cover.
-
- Material: Zinc alloy(ZDC)
 - Finish: Black painting
 - Uses: Special vehicles, modified vehicles, vibration equipment, etc.
 - Notes: To ensure the product is durable, please apply lubricating oil on the rotating parts regularly.



開孔尺寸

