

嵌入式密閉門把手



TM-1894

Built-in closed door handle

商品介紹 Product description

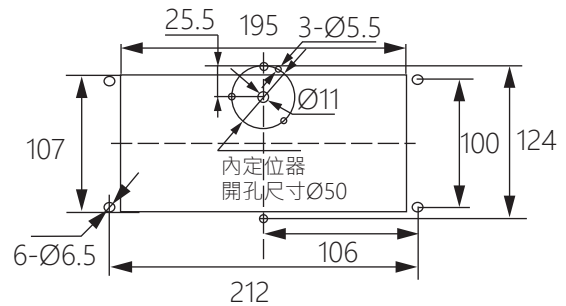
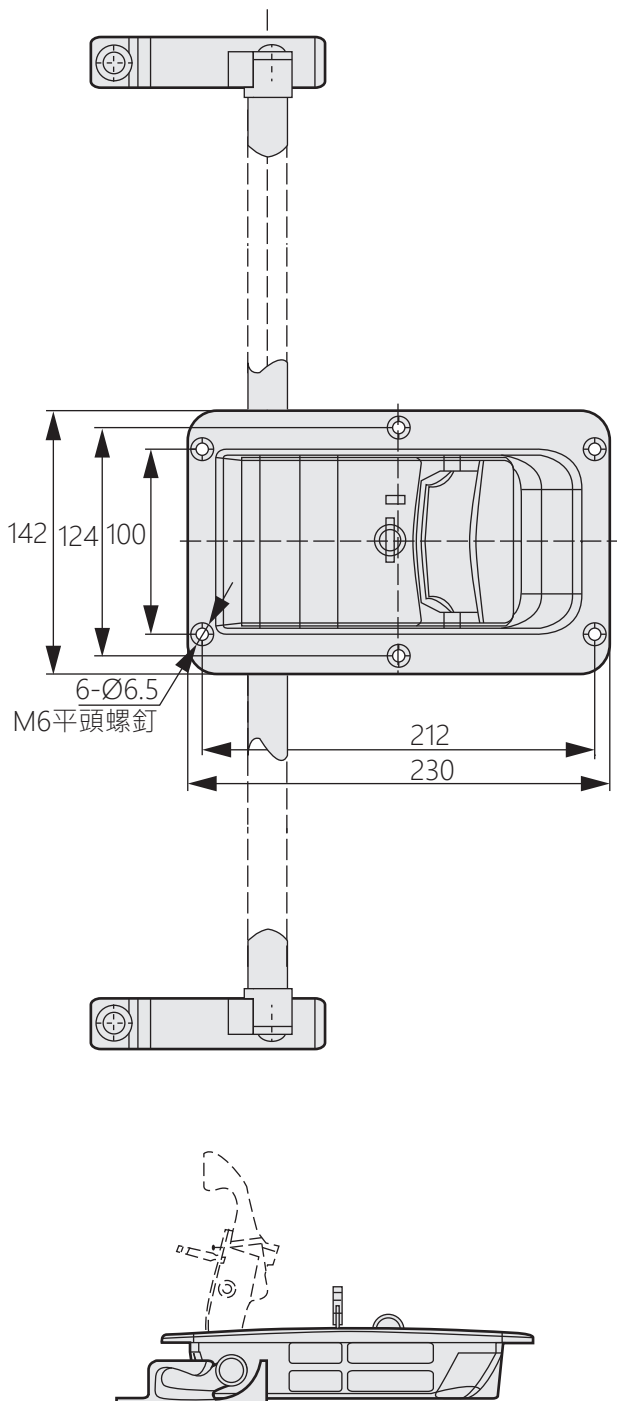
- 1.把手內部採用碰鎖方式，單處即可實現開關。
- 2.把手下面的紅色指示器具有提醒操作者關門的功能。



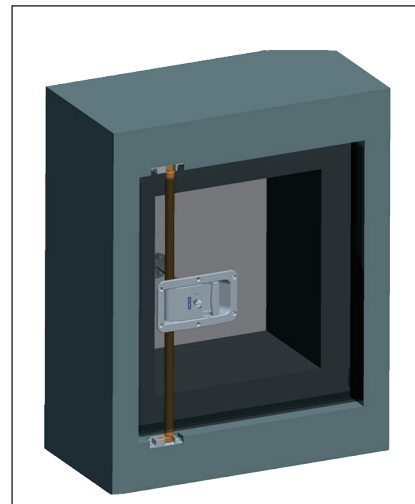
- 材質：鋁合金
- 表面處理：銀色噴塗
- 用途：中小型試驗箱、冷藏保鮮車、特種設備等
- 備註：連接管需自行購買，鎖鉤座請參考尺寸和訂貨號選配。

1. The inside of the handle adopts the latching method, and the switch can be realized in a single place.
2. The red indicator under the handle has the function of reminding the operator to close the door.

- Material: Aluminum alloy
- Finish: Silver spray
- Uses: Small and medium-sized test chambers, refrigerated fresh-keeping trucks, special equipment, etc.
- Notes: The connecting pipe needs to be purchased by yourself, please refer to the size and order number to match the lock hook seat.



安裝圖



嵌入式密閉門把手

Built-in closed door handle



TM-1894



[TH-1894-1]

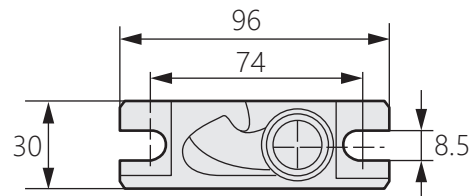
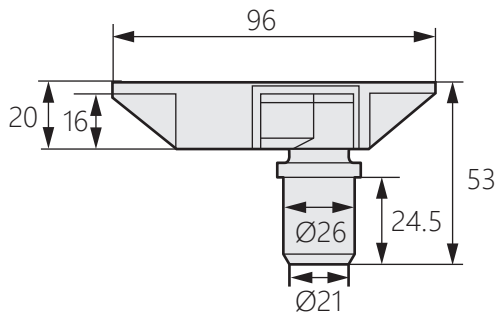


[TH-1894-5]

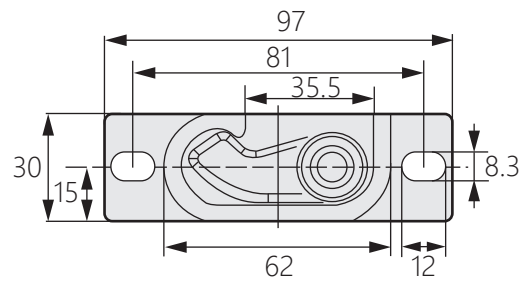
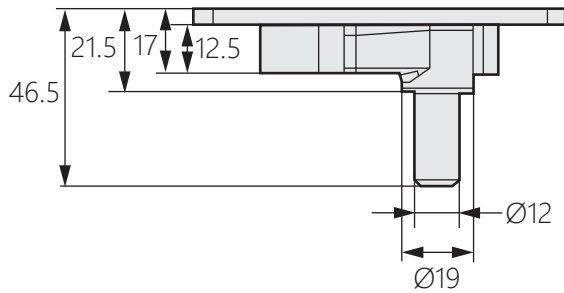


[TH-1894-7]

[TH-1894-1]



[TH-1894-5]



[TH-1894-7]

