

# 不鏽鋼左右緊迫門鎖



TM-2115

## Stainless steel left and right emergency door locks

### 商品介紹 Product description

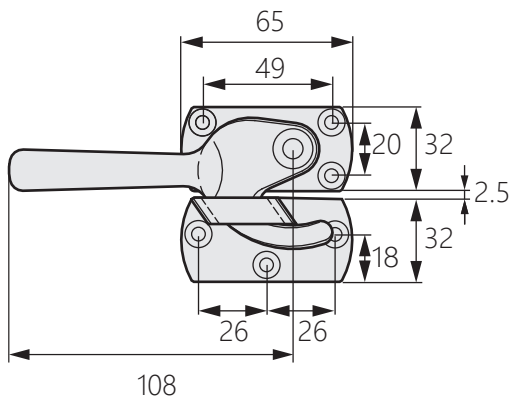
- 1.可強力密閉，具有良好耐腐蝕性。
- 2.有左右開門區分。



- 材質：不鏽鋼304脫蠟鑄造
- 表面處理：鏡面拋光
- 用途：密封門、醫療設備、電磁波防護門等。

1. It can be tightly sealed and has good corrosion resistance.
2. There is a distinction between left and right doors.

- Material: Cast stainless steel (SUS304)
- Finish: Mirror surface buffing
- Uses: Sealed doors, medical equipment, electromagnetic wave protection doors, etc.



商品型號

TM-2115-L

TM-2115-R