

不鏽鋼門鎖把手



TM-2119

Stainless steel latch

商品介紹 Product description

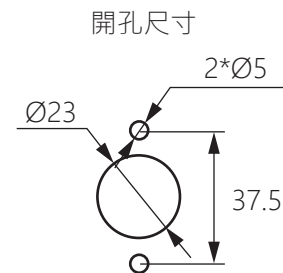
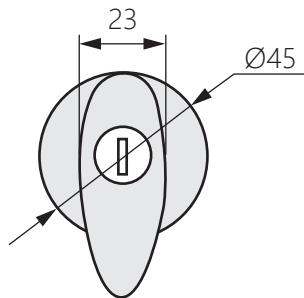
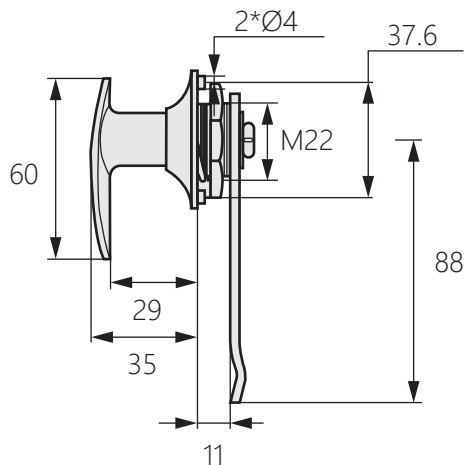
左右兼用：變更門擋片及基座的方向，即可左右開門。



- 材質：不鏽鋼304脫蠟鑄造
- 表面處理：鏡面拋光
- 用途：密封門、醫療設備、震動機械門扇等

Both left and right: change the direction of the door stopper and the base to open the door left and right.

- Material: Cast stainless steel 304
- Finish: Mirror reflection
- Uses: Sealed doors, medical equipment, vibrating mechanical door leaves, etc.



商品型號	規格
TM-2119-1	附鎖
TM-2119-2	無鎖