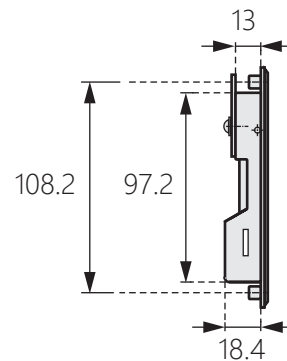
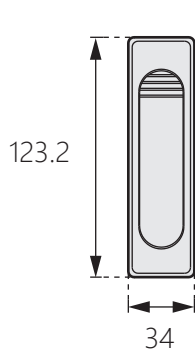
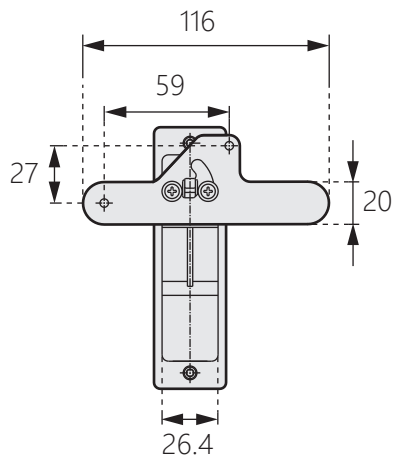


按壓式平面把手



TM-2160

Pressed flat handle



商品介紹 Product description

- 材質：不鏽鋼316脫蠟鑄造
- 表面處理：鏡面拋光
- 用途：半導體工程、工業工程、機械五金

- Material: Stainless steel316 dewaxing casting
- Finish: Mirror reflection
- Uses: Semiconductor engineering, industrial engineering, mechanical hardware.