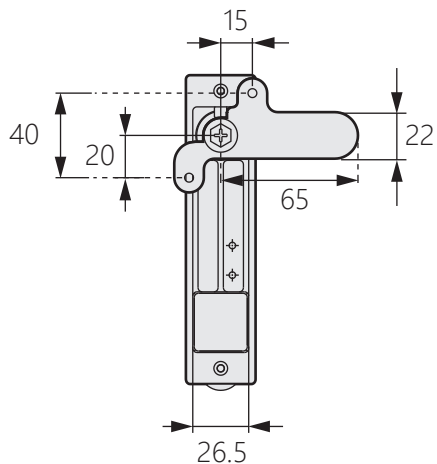


按壓式平面把手



TM-2170

Pressed flat handle



商品介紹 Product description

- 材質：不鏽鋼316脫蠟鑄造
 - 表面處理：鏡面拋光
 - 用途：配電盤、電控箱
-
- Material: Stainless steel316 dewaxing casting
 - Finish: Mirror reflection
 - Uses: Switchboard, electric control box.
-

