

# 按壓式平面把手



TM-2180

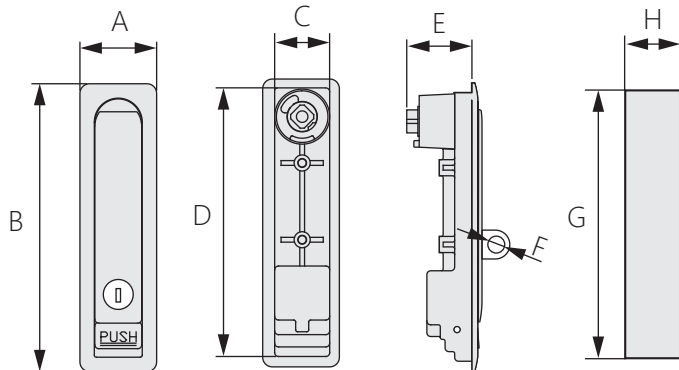
Pressed flat handle



商品介紹 Product description

- 材質：不鏽鋼316脫蠟鑄造
  - 表面處理：鏡面拋光
  - 用途：配電盤、制御盤部品
- 
- Material: Stainless steel316 dewaxing casting
  - Finish: Mirror reflection
  - Uses: Switchboard, control panel parts.
- 

開孔尺寸



| 商品型號       | B   | D   | A  | C    | E    | F  | G   | H  |
|------------|-----|-----|----|------|------|----|-----|----|
| TM-2180-1  | 152 | 142 | 40 | 28.7 | 27.5 | /  | 143 | 30 |
| TM-2180-2  | 137 | 127 |    |      |      |    | 128 |    |
| TM-2180-3  | 112 | 102 |    |      |      |    | 103 |    |
| TM-2180-1P | 152 | 142 |    |      |      | Ø7 | 143 |    |