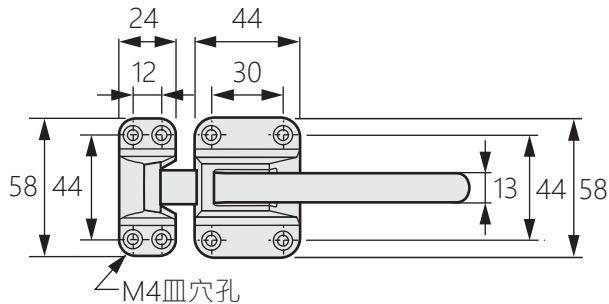


滾輪式樣氣密門鎖

Roller style airtight door lock



TM-2210



商品介紹 Product description

- 材質：不鏽鋼304脫蠟鑄造
 - 表面處理：鏡面拋光
 - 用途：冰箱門、廚房設備等
-
- Material: Stainless steel 304 dewaxing casting
 - Finish: Mirror reflection
 - Uses: Refrigerator doors, kitchen equipment, etc.

