

防塵機罩鎖



TM-326

Dustproof hood lock

商品介紹 Product description

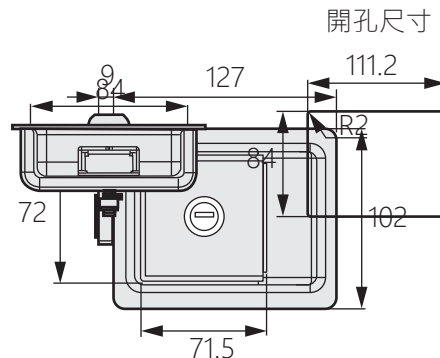
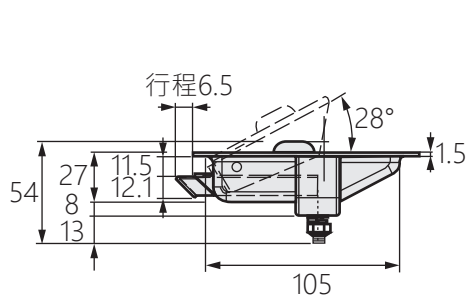
1. 抗震動、抗衝擊等性能強。
2. 採用單點鎖定形式。
3. 鎖孔處附防塵蓋，以提高防塵性。



- 材質：鋅合金(ZDC)
- 表面處理：黑色烤漆、銀色噴塗
- 用途：工程車、特種車、震動設備等

1. Strong anti-vibration and impact resistance.
2. Adopt single-point locking form.
3. A dust cover is attached to the key hole to improve dust resistance.

- Material: Zinc alloy(ZDC)
- Finish: Black painting.Silver spray
- Uses: Engineering vehicles,special vehicles, vibration equipment,etc.



商品型號	表面處理
TM-326-1	黑色烤漆
TM-326-2	銀色噴塗