

平面盒鎖

Flat box lock



TM-338



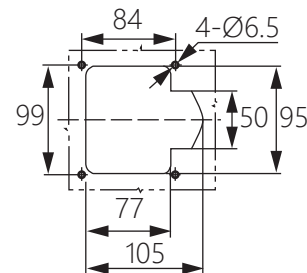
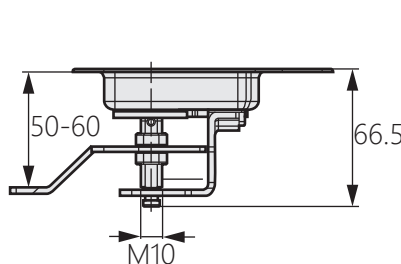
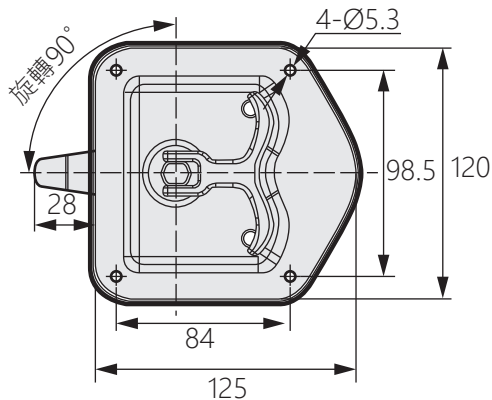
商品介紹 Product description

最大靜載荷：60KG

- 材質：不鏽鋼(SUS304)
- 表面處理：鏡光
- 用途：機箱機櫃、集裝箱、船舶等
- 備註：此為訂製品

Maximum static load: 60KG

- Material: Stainless steel(SUS304)
- Finish: Mirror polishing
- Uses: Chassis cabinets, containers, ships, etc.
- Notes: This is a customized product.



安裝開孔尺寸