

嵌入式 T 型面板鎖

Snap-in T-shaped panel lock



TM-350



商品介紹 Product description

1. T型手柄方便抓握，以及埋入式的安裝設計非常適用在工業及車輛上。

2. 防水設計：內部設置O型環，外部使用防水墊片。

● 材質：面板、門擋片、轉軸- 不鏽鋼、手柄、鎖芯、防水蓋- 鋅合金

● 表面處理：面板- 鏡面拋光/手柄、防水蓋- 鍍鉻

● 用途：配分電盤、機械設備、車輛等。

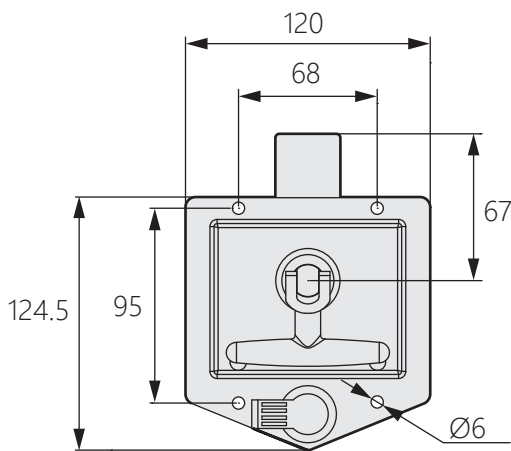
1. The T-shaped handle is easy to grasp, and the embedded installation design is very suitable for industry and vehicles.

2. Waterproof design: O-ring is set inside and waterproof gasket is used outside.

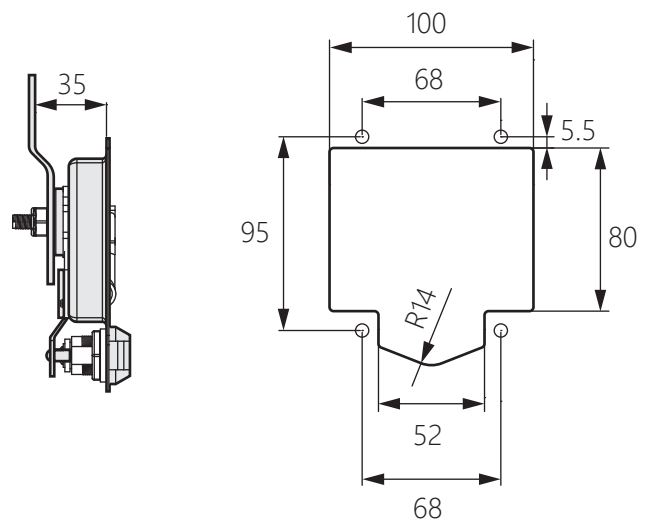
● Material: Panel, Cam, Shaft- Stainless Steel \ Handle, lock, Cover- Zinc Alloy (ZDC)

● Finish: Panel- Mirror surface buffing ; Handle, Cover- Electroplated With Chrome.

● Uses: Distribution and distribution panels, mechanical equipment, vehicles, etc.



開孔尺寸



安裝示意圖

