

# 不鏽鋼迫緊手柄



TM-501

## Stainless steel pressing handle

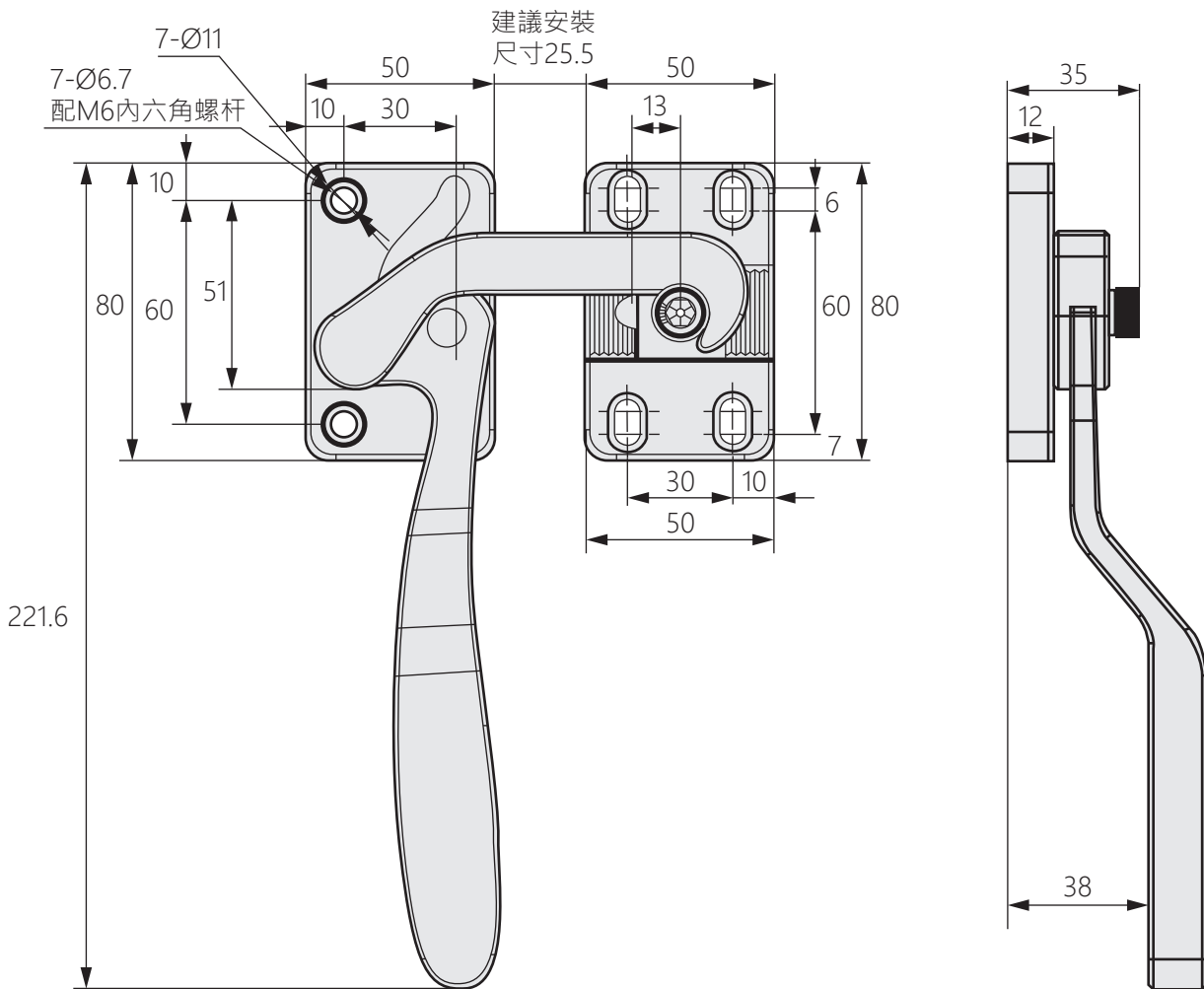
### 商品介紹 Product description

通過調節座子，可實現密閉壓縮門功能。

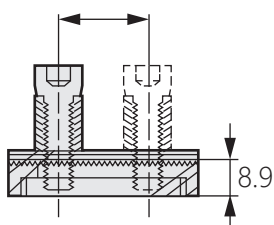
- 材質：不鏽鋼(SUS304)
- 表面處理：鏡面拋光
- 用途：高溫底試驗箱、冷凍醫用箱等中大型有密閉需求的箱體設備。

By adjusting the seat, the airtight compression door function can be realized.

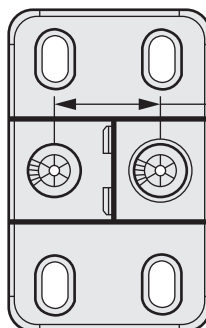
- Material: Stainless steel 304
- Finish: Mirror polishing
- Uses: High-temperature bottom test chambers, refrigerated medical boxes, and other medium and large-scale equipment with airtight requirements.



M8最大可調距離：26



可調範圍26



商品型號	樣式
TM-501-L	左開
TM-501-R	右開