

Plane rotary handle

商品介紹 Product description



[TM-543-1]
[TM-543-2]



[TM-543-3]

- 1.左右兼用型。
- 2.側欄鍵適用。

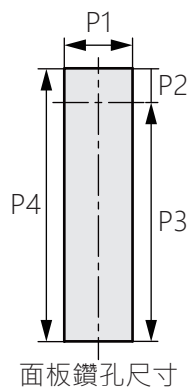
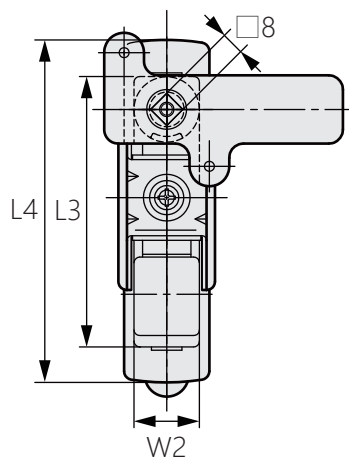
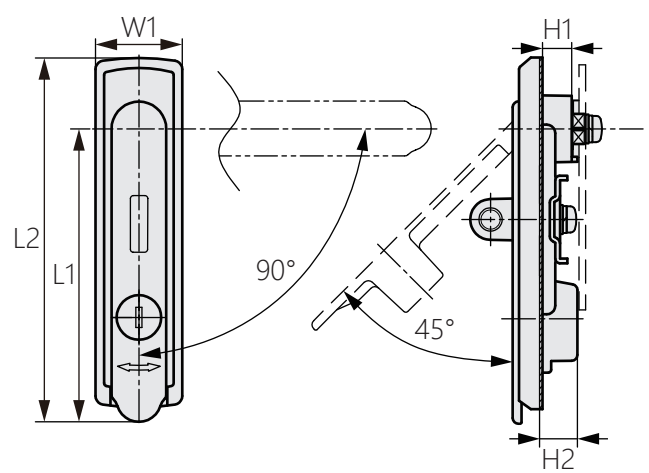
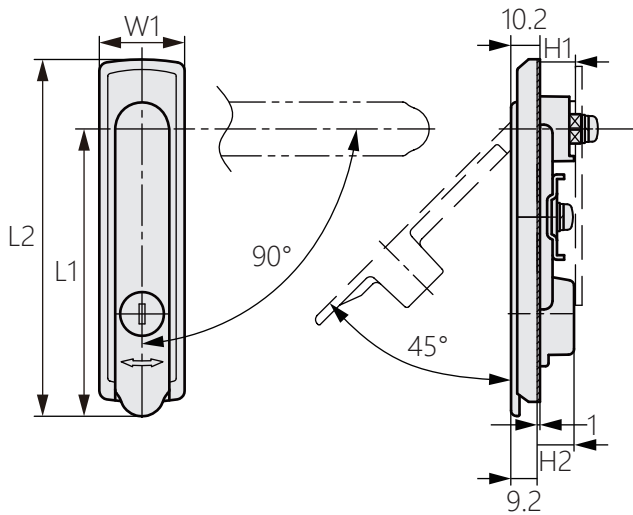
- 材質：鋅合金 (ZDC)
- 表面處理：黑色噴漆、鍍鉻
- 用途：IT設備、配電盤等
- 備註：TM-543-3有雙重鎖定且有出色的安全性

1. Use in both of right and left.
2. Side bar key applicable.

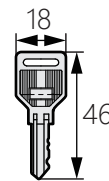
- Material: Zinc alloy (ZDC)
- Finish: Black painting,chrome plating
- Uses: IT equipment,switchboards,etc.
- Notes : TM-543-3 has double locking for excellent security.

[TM-543-1]
[TM-543-2]

[TM-543-3]



面板鑽孔尺寸



商品型號		L1	L2	L3	L4	W1	W2	H1	H2	P1	P2	P3	P4
黑色噴漆	鍍鉻												
TM-543-1-1	TM-543-2-1	120.3	147.1	116	142.1	33	26		21.9	27	14.2	102.8	117
TM-543-1-2	TM-543-2-2	101	125.5	95	120.5	30					12	84	96
TM-543-1-3	TM-543-2-3	68.8	90.5	62.3	85.6	28.5	23	12.5	13	24	11.8	51.2	63
	TM-543-3-1	101	125.5	95	120.5	30					12	84	96
	TM-543-3-2	68.8	90.5	62.3	85.6	28.5					11.8	51.2	63